

SISO GLASS fittings

for
furniture



- high quality furniture fittings



The technical descriptions and dimensions in this catalogue, also those with the photographs and drawings, are not binding. We reserve the right to make design improvements.

We bear no liability for any misprints or other errors that might occur in the production of the catalogue.

SISO A/S tager forbehold for trykfejl samt ændringer i produktets specifikationer.

Für Druckfehler und Irrtümer ist jede Haftung ausgeschlossen. Produktänderungen behalten wir uns vor.



- high quality furniture fittings

SISO A/S
MILEPARKEN 11
DK - 2740 SKOVLUNDE
(COPENHAGEN)
DENMARK
PHONE: (+45) 45 830 900

DISTRIBUTOR

CONTENTS

- high quality furniture fittings

SISO
DENMARK

GLASS CONNECTORS 5-7



GLASS DOOR LOCK & ACCESSORIES 8-24



SHELF SUPPORTS FOR GLASS 25-29



CABLE SIGN SYSTEM 30-31



ADJUSTABLE SHELF SUPPORT "PELICANS" 32-33



"SLOPE" SHELF BRACKET 34-35



ZAMAK GLASS CLAMPS 36-37



PARTITION PANEL SUPPORT CLAMP 38-40



PIVOT HINGE "HODOR" 41-42



CABINET HINGE "EASY" 43-45



GLASS DOOR HINGES - DRILLING 46-55

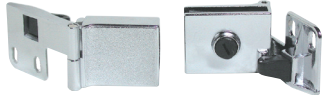

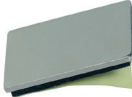




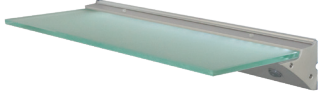






HINGES FOR UV-GLUE 56-59



GLASS PIVOT HINGE - NO DRILLING 60-62



GLASS DOOR HINGES - NO DRILLING	63	
MAGNETIC TOUCH LATCHES	64-65	
STRIKING PLATES	66	
GLASS DOOR PULL F/SLIDING DOORS	67	
GLASS DOOR HANDLE - NO DRILLING	67	
ACCESSORIES F/MIRRORS	68	
SIGNBOARD SCREWS & HOLDERS	69-71	
ALUMINIUM SHELVES W/LED & ALU PROFILES	72	
SUCTION PADS & BUMPERS	72	
DISCS & LEGS F/GLASS TABLE TOPS	73	
TWISTER - THE LEG CONNECTOR	74-75	
SHELVING LEG SYSTEM "THE POST".	76	

GLASS CONNECTORS - TYPE "MAXI" ZAMAK - GLASS THICKNESS 4-6 MM

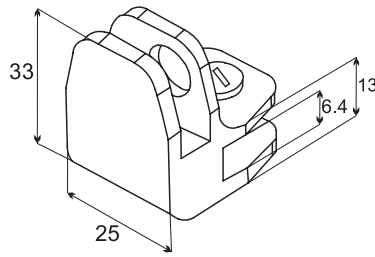
- high quality furniture fittings



GLASS CONNECTOR 2-WAY 90°

33 x 33 x 25 mm height

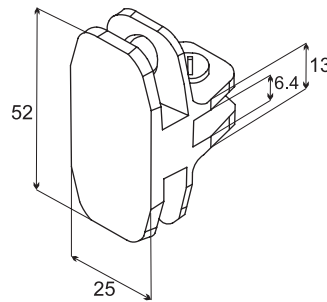
Chrome plated # 22.10.100



GLASS CONNECTOR 3-WAY T-JOINT

52 x 33 x 25 mm height

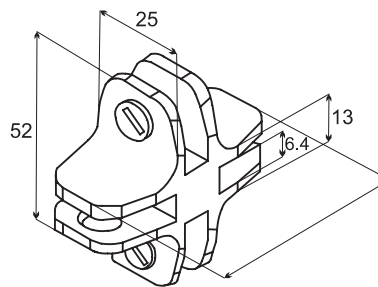
Black anodized # 22.10.112



GLASS CONNECTOR 4-WAY 90°

52 x 52 x 25 mm height

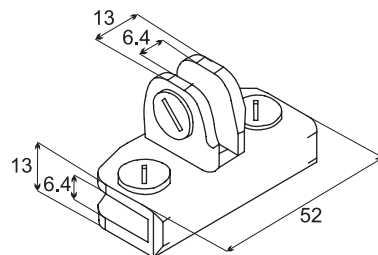
Black anodized # 22.10.122
Alu finish # 22.10.123



GLASS CONNECTOR 3-WAY T-JOINT

Closed end - bottom/top connector

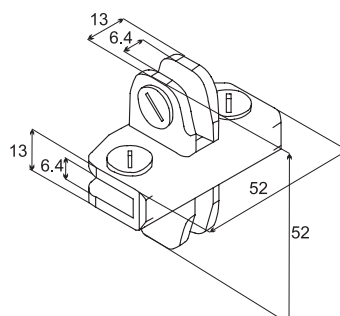
Chrome plated # 22.10.130
Black anodized # 22.10.132



GLASS CONNECTOR 4-WAY 90°

Closed end - bottom/top connector

Chrome plated # 22.10.140
Black anodized # 22.10.142



GLASS CONNECTORS - TYPE "MINI" ZAMAK - GLASS THICKNESS 4 - 5.5 MM

GLASS CONNECTOR HINGE

60 mm open width x 40 mm height.

Chrome plated # 22.10.010
Brass plated # 22.10.011



GLASS CONNECTOR HINGE

60 mm open width x 22 mm height.

Chrome plated # 22.10.020
Black anodized # 22.10.022



GLASS CONNECTOR 2-WAY - 90°

33 x 33 mm x 22 mm height

Chrome plated # 22.10.060
Black anodized # 22.10.062



GLASS CONNECTOR 3-WAY - T-JOINT

52 x 34 mm x 22 mm height

Brass plated # 22.10.041
Black anodized # 22.10.042



GLASS CONNECTOR 4-WAY - 90°

52 x 52 mm x 22 mm height

Chrome plated # 22.10.050
Brass plated # 22.10.051
Black anodized # 22.10.052



GLASS CONNECTOR 4-WAY - 90°

52 x 52 mm x 22 mm height
bottom mounted connector

Chrome plated # 22.10.055



GLASS/GLASS CONNECTOR #CLAW" 2-WAY

- high quality furniture fittings



Application

Connecting glass plates
Drilling required

Material

2 mm steel, nickel plated

Size: 35 x 35 mm

Bore hole: \varnothing 6 mm

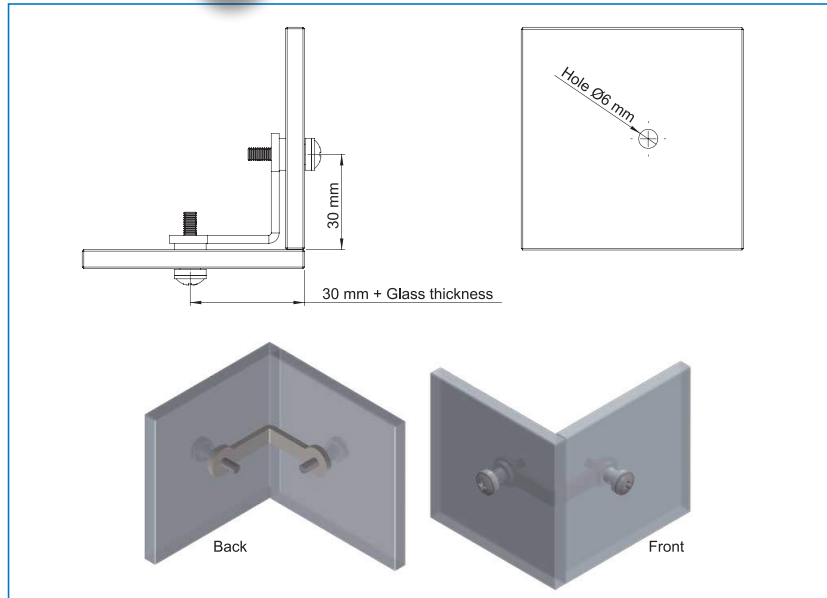
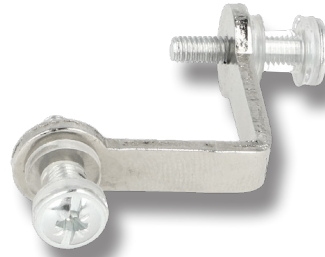
Bore distance: 30 mm from

centre to edge + glass thickness

Glass thickness: 4 - 8 mm

Item No.: # 22.10.090

Inclusive transparent tube & washers



GLASS/GLASS CONNECTOR #CLAW" 3-WAY

Application

Connecting glass plates
Drilling required

Material

2 mm steel, nickel plated

Size: 35 x 35 x 35 mm

Bore hole: \varnothing 6 mm

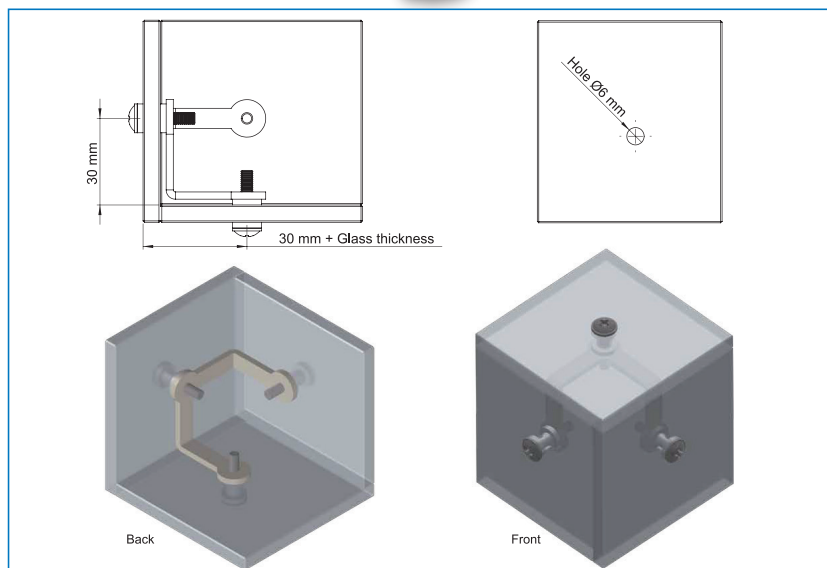
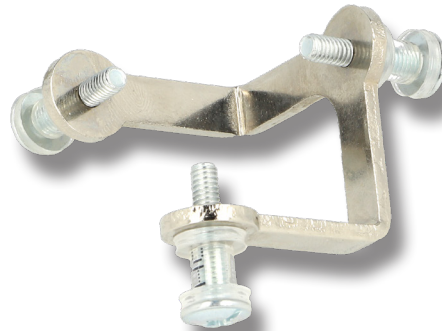
Bore distance: 30 mm from

centre to edge + glass thickness

Glass thickness: 4 - 8 mm

Item No.: # 22.10.091

Inclusive transparent tube & washers



GLASS DOOR LOCK "MINI" SLIDING DOORS

MODEL „MINI“

Finish
Chrome plated

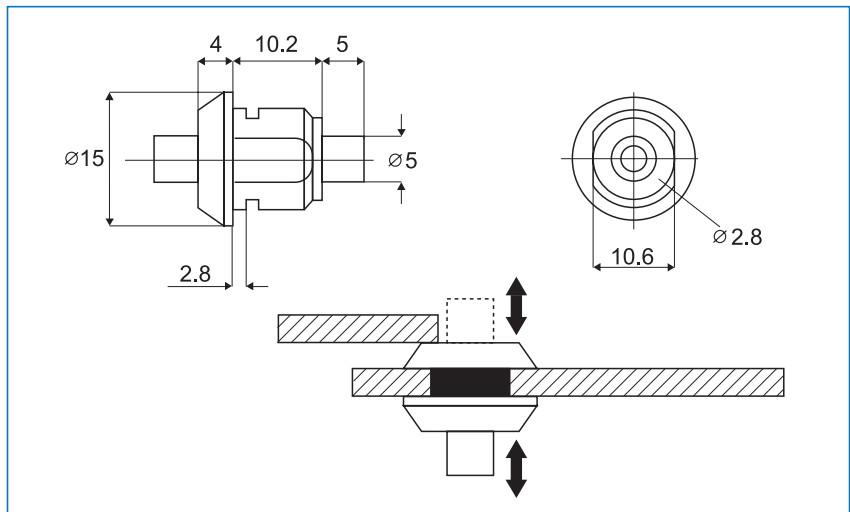
Application
Glass sliding door

Accessories for 1 set
1 lock
2 car keys
1 nut

Function
to lock - push the cylinder
to unlock - turn key

50 key combinations # 14.03.040
Key alike # 14.03.041

Packing
100 pcs per box
5 box per export carton



BRASS GLASS DOOR LOCK "SWAN" FOR 8-10 MM GLASS

MODEL "SWAN"

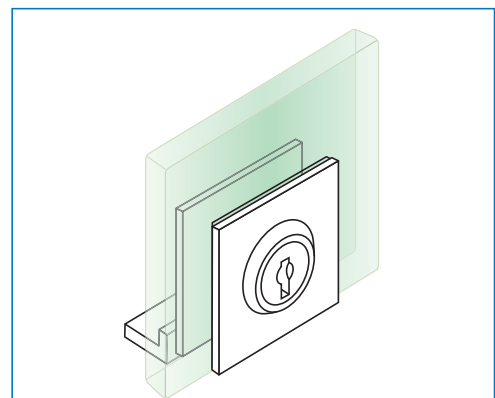
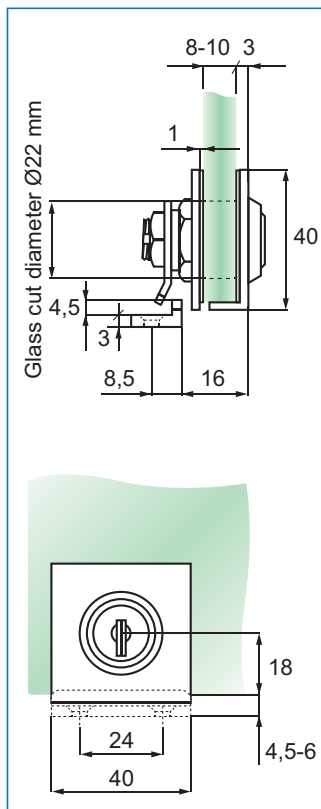
Finish
Gold plated # 14.09.000
Chrome plated # 14.09.001

Material
Brass

Consists of:
1 cylinder $\varnothing 20 \times 23$ mm
1 front plate w/bottom support
40 x 40 mm
1 back plate 40 x 40 mm
2 SISO metal keys, key alike
2 transparent cushions
1 hexagonal nut
1 off-set brass cam
1 raised brass striker

Function
Turn key 180° to lock or unlock

Packing
100 pcs per export carton



GLASS DOOR LOCK "AUDIO" - NO DRILLING

- high quality furniture fittings



MODEL "AUDIO"

Finish
Plastic black # 14.09.256

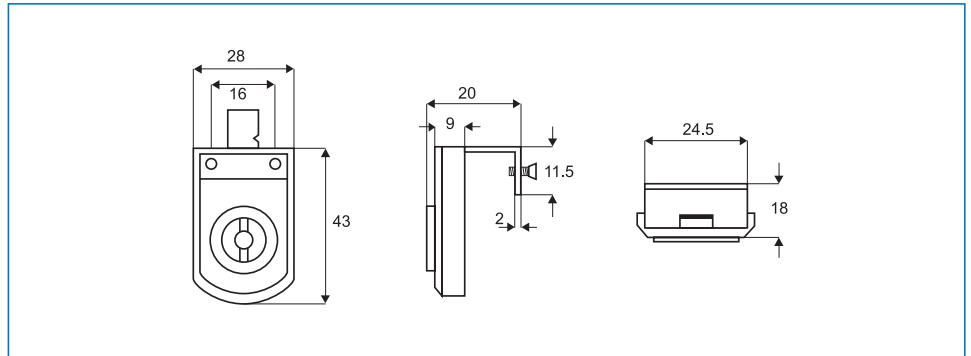
Application
Hinged glass doors
particularly for audio/hi-fi cabinets
No boring required

Accessories for one set
1 lock
1 washer
2 screws
2 keys

Function
Turn key 180°
to lock or unlock

Specification
Plastic/metal combination
one key change only

Packing
500 pcs per export carton



GLASS DOOR LOCK C409 SLIDING DOORS

MODEL C409

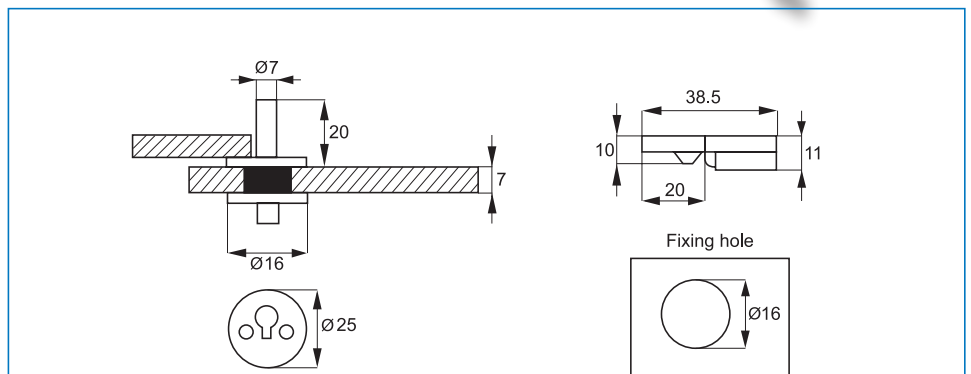
Finish:
Zamak, chrome plated

Application:
Glass sliding doors

Accessories for one set:
1 plug-in zamak cylinder
1 zamak housing (2 parts)
3 transparent PVC washers
2 steel screws
2 brass keys

Function:
Place cylinder into lock case,
turn and remove key,
key removable in locked
position only

Specification:
25 key combinations # 14.09.300
or key alike # 14.09.315

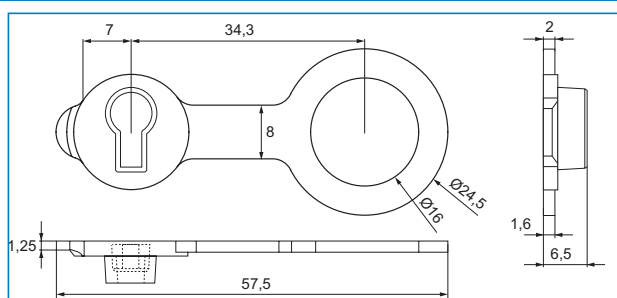


SOFT PLUG F/SLIDING DOOR LOCK C409

Application:
For lock C409 to seal the
cylinder hole when not locked.

Specifications:
Grey silicon RAL 7010

Item No.: # 14.09.303



GLASS DOOR LOCK VITRIO "M" - HINGED DOORS

MODEL "VITRIO"

Finish

Chrome plated # 14.09.350
Brass plated # 14.09.360

Application

Double hinged glass doors
Accessories for one set
A) left door
1 decorative cylinder
1 stainless steel front plate
1 hexagonal nut
1 plastic washer
B) right door
1 off-set hook cam
1 stainless steel front plate
1 hexagonal nut
1 plastic washer
2 car keys

Function

Turn key 90° to lock or unlock

Specification

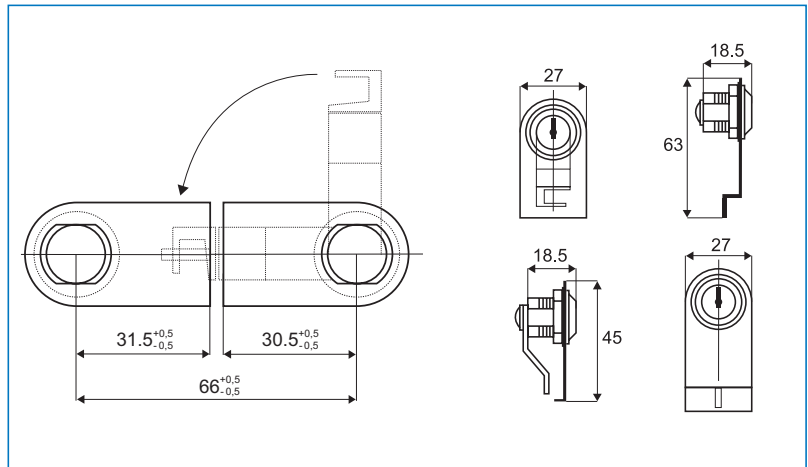
Cylinder zamak
front plates stainless steel
400 key combinations or key alike

Option

Master key system

Packing

300 pcs per export carton
25 pcs per box



GLASS DOOR LOCK NO. 750

Model 750

Finish:

Chrome Pl. - 100 mm - KD # 14.09.025
Chrome Pl. - 100 mm - KA # 14.09.012
Chrome Pl. - 135 mm - KD # 14.09.030
Chrome Pl. - 135 mm - KA # 14.09.013

Application:

Glass sliding doors

Accessories for one set:

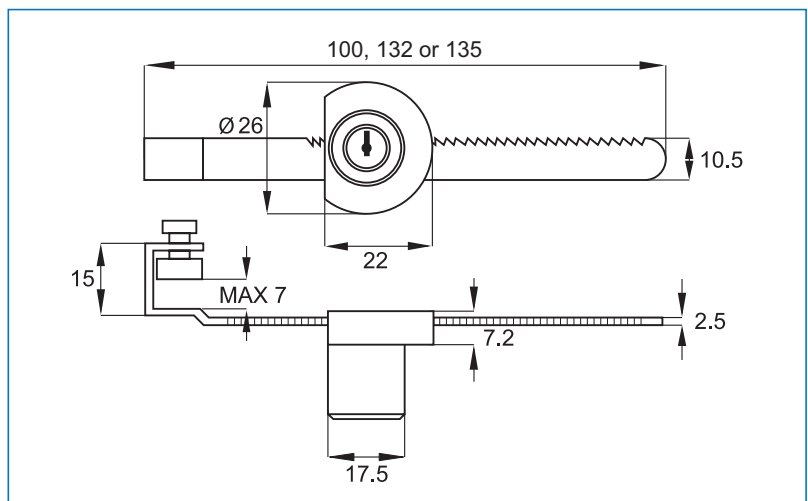
1 removable lock
1 ratchet 100 or 135 mm
1 screw w/protection pad
2 metal keys

Function:

Push the ratchet into the flat end of the lock
Turn key 180° and remove key to activate the lock

Specification:

Zamak lock body
Steel ratchet & keys
25 key combinations



PUSH BUTTON LOCK #8600 "M" F/DOUBLE SLIDING GLASS DOORS

MODEL # 8600

Finish

Chrome plated # 14.09.420
Alu finish # 14.09.423

Application

Double sliding glass doors
on alu rails

Accessories

1 lock cylinder \varnothing 22 mm
1 grub screw for fastening
2 metal keys, double entry

Function

Push cylinder to lock
Turn key to unlock

Specification

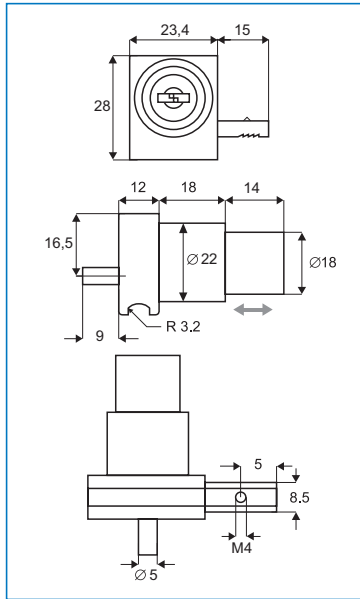
Zamak house: 28 x 24 x 12 mm
400 key combinations or key alike

Option:

Master key

Packing:

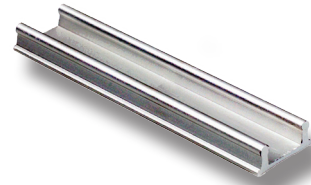
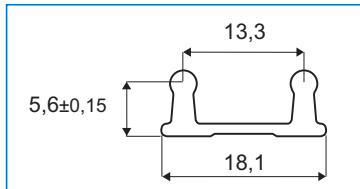
250 pcs per export carton
25 pcs per box



ACCESSORIES

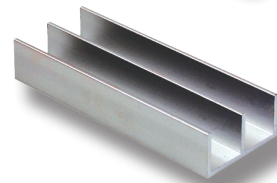
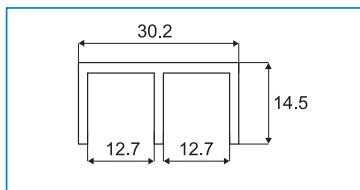
BOTTOM TRACK

Aluminium:
Anodized # 22.26.030
Standard length: 2 metres



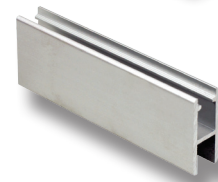
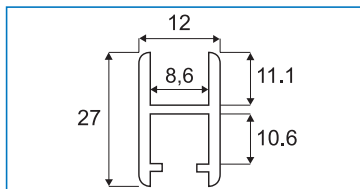
TOP E-TRACK

Aluminium:
Anodized # 22.26.010
Standard length: 2 metres

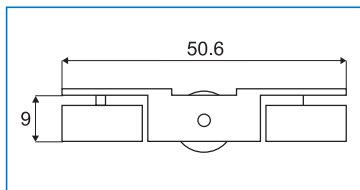


GLASS H-RAIL

Aluminium:
Anodized # 22.26.020
Standard length: 2 metres
For 5 - 6 mm glass thickness



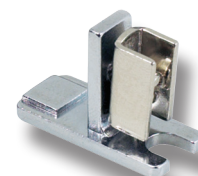
TROLLEY w/Nylon Wheels
Nickel plated # 22.26.040
Load capacity: 3 kg



U-SPLINE PVC # 22.26.060
Rolls of 100 mts

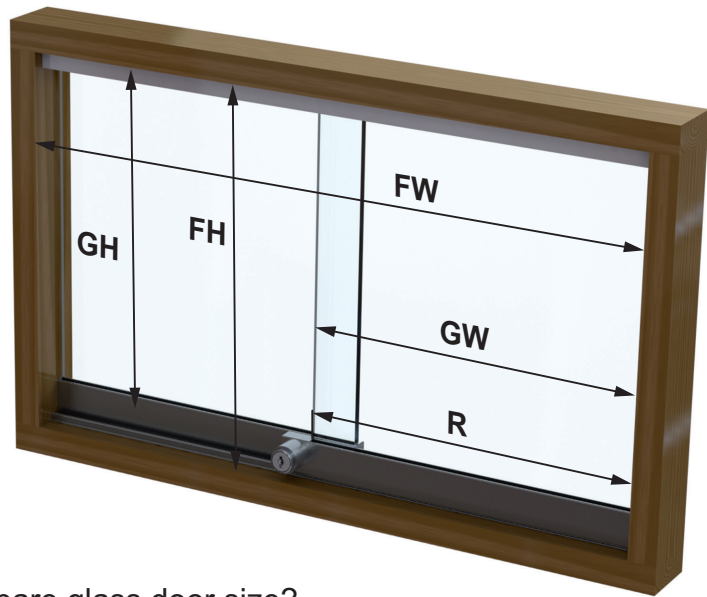
SILENCER # 22.26.070
Plastic, clear
Bags of 100 pcs

END CAP ZAMAK
Chrome plated # 22.26.050
Alu finish # 22.26.049

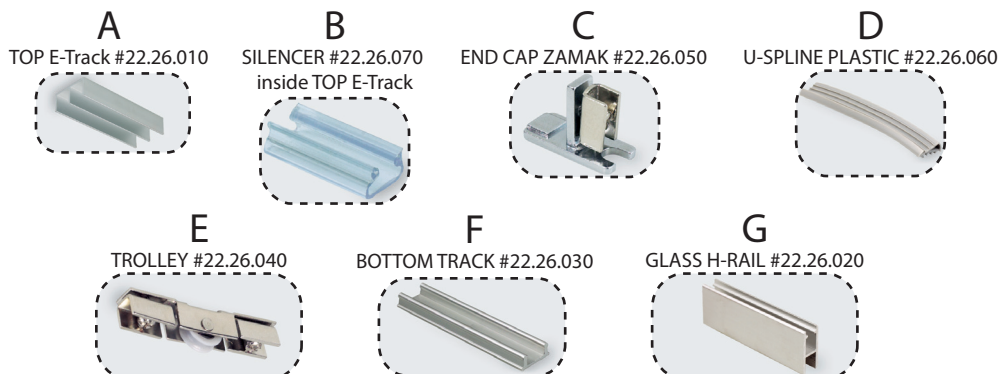
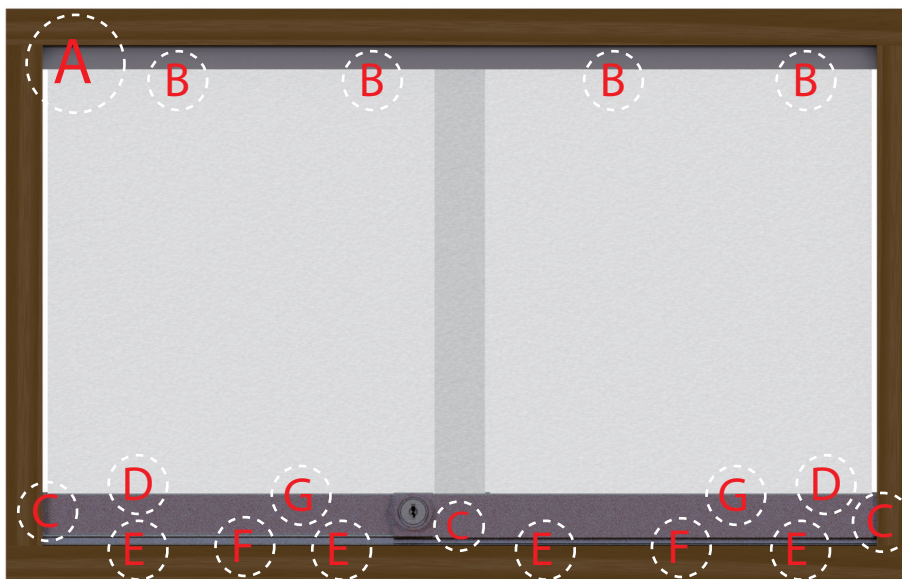
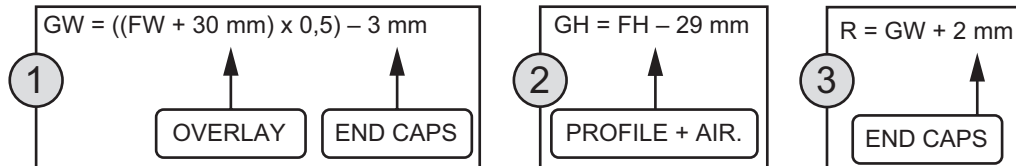


SYSTEM #8600

FW = Frame width (inside measurement)
 GW = Glass width
 FH = Frame height (inside measurement)
 GH = Glass height
 R = Rail length



How to prepare glass door size?



PUSH BUTTON LOCK #2010 "M" F/DOUBLE SLIDING GLASS DOORS

- high quality furniture fittings



MODEL #2010

Finish

Alu finish	# 14.09.460
Chrome plated	# 14.09.461
Gold mat plated	# 14.09.463
Gold bright plated	# 14.09.462

Application

Double sliding glass doors
premounted on aluminium frame

Accessories for one set

- 1 cylinder push lock $\varnothing 22$ mm
- 1 universal bottom part
premounted for insertion
into H-rail on left or right side
- 2 grub screws for fastening onto the h-rail
- 5 allen keys for every
20 lock sets for tightening the grub
screws
- 2 car keys, double entry

Function

Push cylinder to lock
and turn key to unlock

Specification

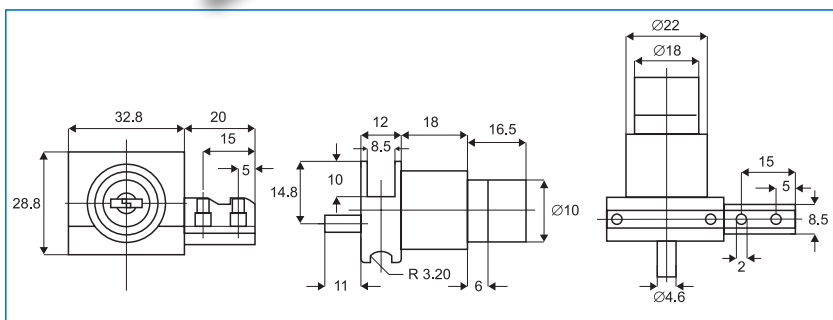
Zamak with 400 key combinations
or key alike

Option

Master key system

Packing

200 pcs per export carton
20 pcs per box



ACCESSORIES

U-SPLINE PVC
22.26.060
Rolls of 100 mts

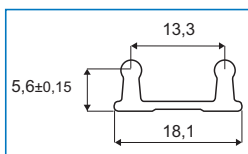
SILENCER
22.26.070
Plastic, clear
Bags of 100 pcs

END CAP ZAMAK
Chrome plated # 22.26.051
Alu finish # 22.26.052



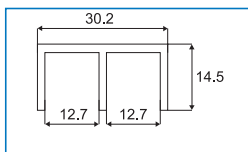
BOTTOM TRACK

Aluminium:
Anodized # 22.26.030
Standard length: 2 metres



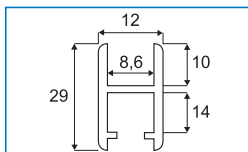
TOP E-TRACK

Aluminium:
Anodized # 22.26.010
Standard length: 2 metres

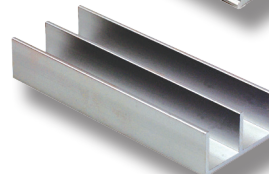
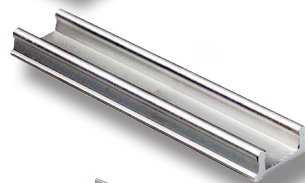
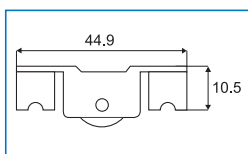


GLASS H-RAIL

Aluminium:
Anodized # 22.26.021
Standard length: 2 metres
For 5 - 6 mm glass thickness

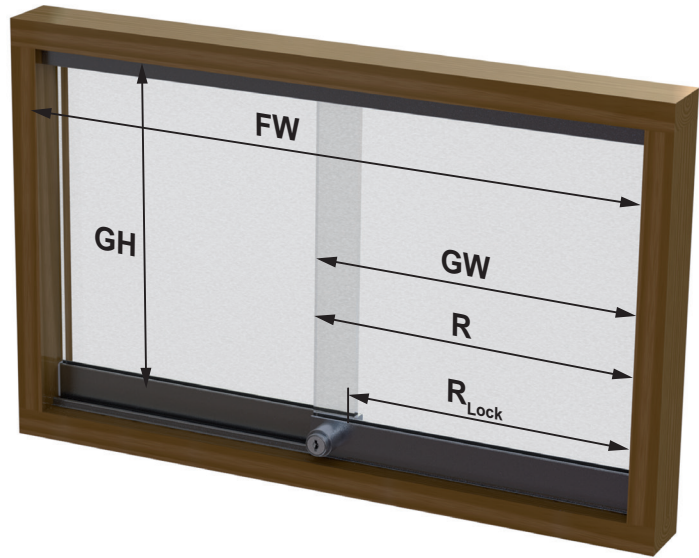


TROLLEY w/Nylon Wheels
Nickel plated # 22.26.041
Load capacity: 3 kg

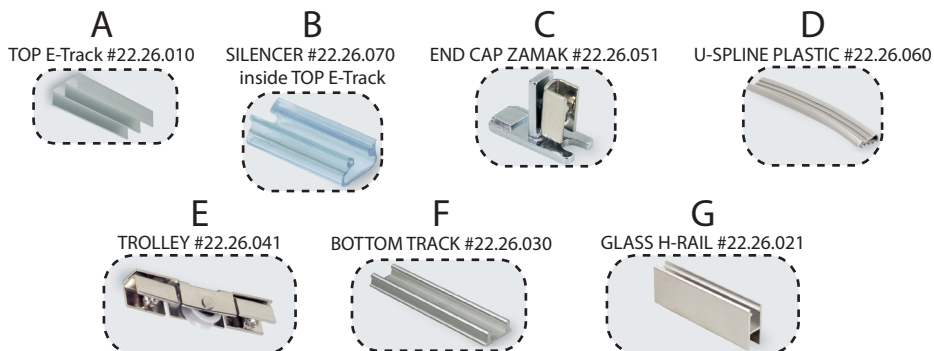
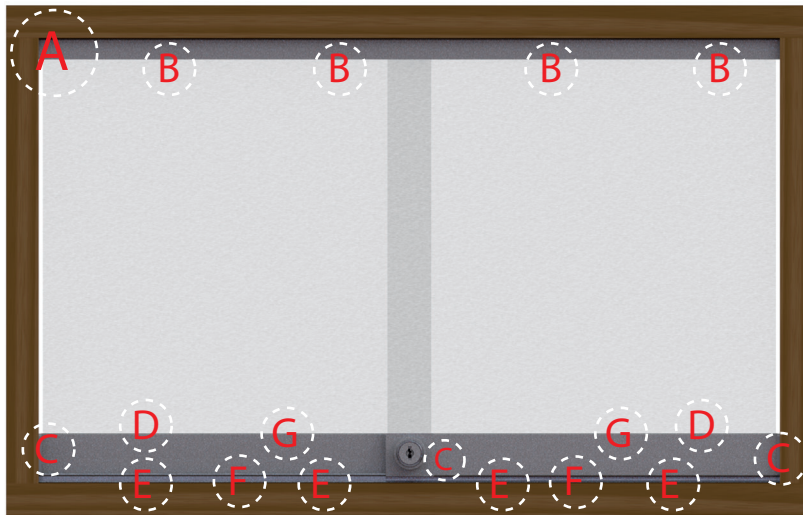
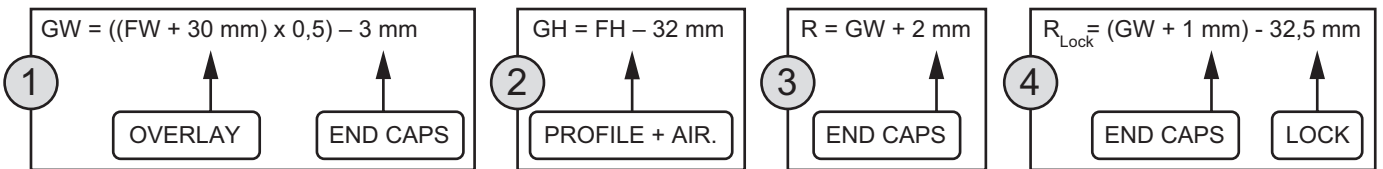


SYSTEM #2010

- FW = Frame width (inside measurement)
- GW = Glass width
- FH = Frame height (inside measurement)
- GH = Glass height
- R = Rail length
- R_{Lock} = Rail length for lock



How to prepare glass door size?



PUSH BUTTON LOCK #2740 "M" W/STRIKER

Application

Double sliding glass doors
Premounted on aluminium frame

Function

Push & turn cylinder with key to lock
& turn key to unlock.
Can be installed into H-rail
on left or right side

Specification

Zamak with 400 key combinations,
key alike or/and master key system

1 set consists of

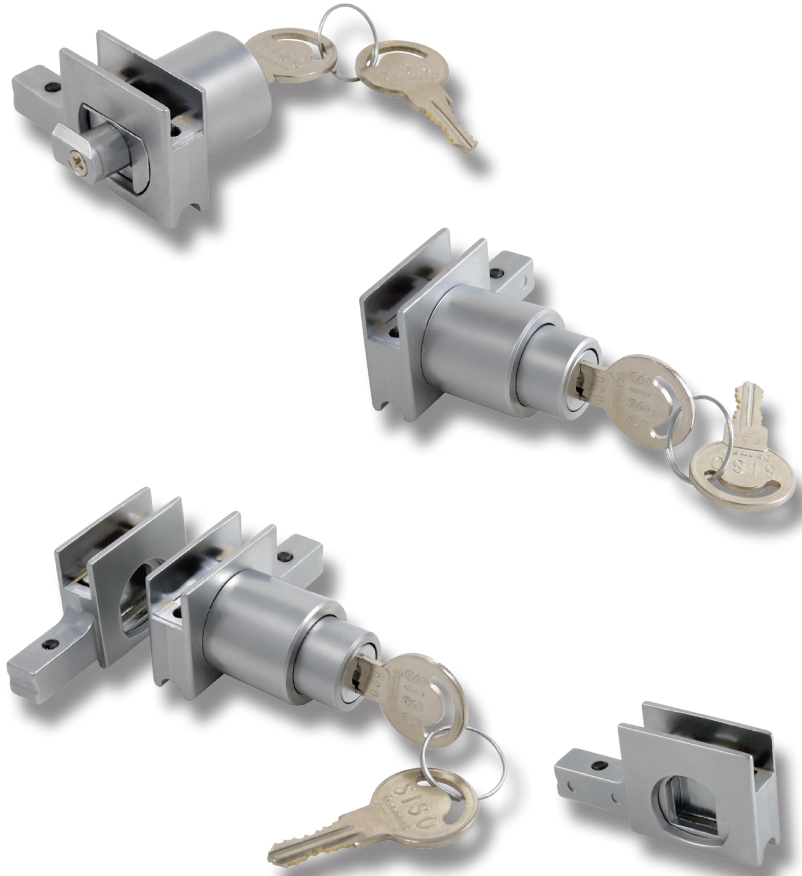
- 1 cylinder push lock \varnothing 22 mm
with hook pin
- 1 striker
- 2 round SISO metal keys, double
entry
- 1 hex key 2 mm
- 2 grub screws for fastening
onto the H-rail

Lock #2740 w/striker

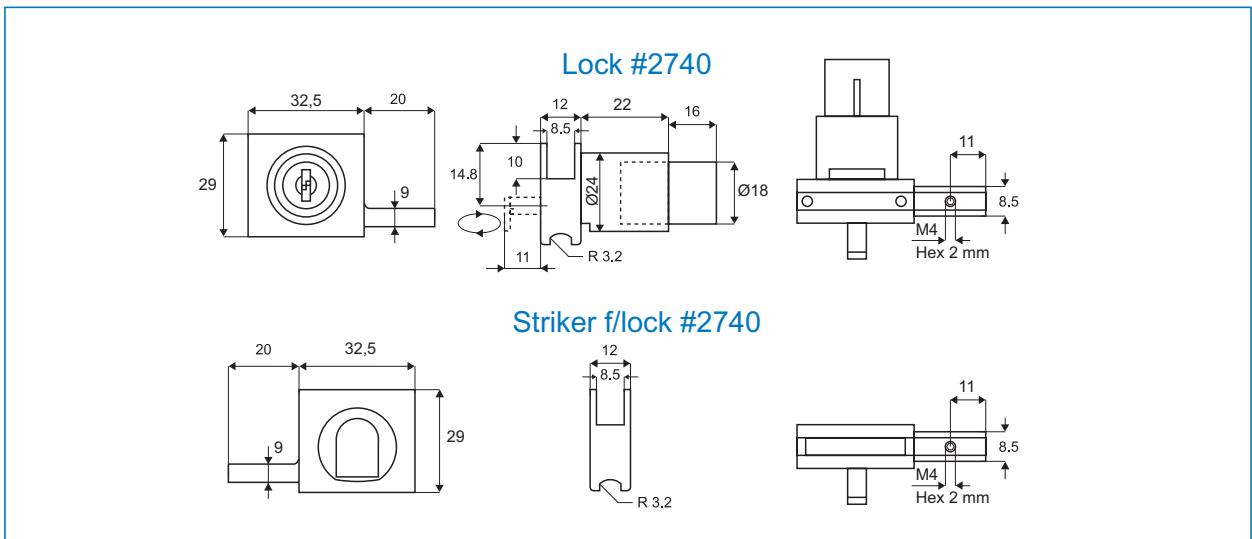
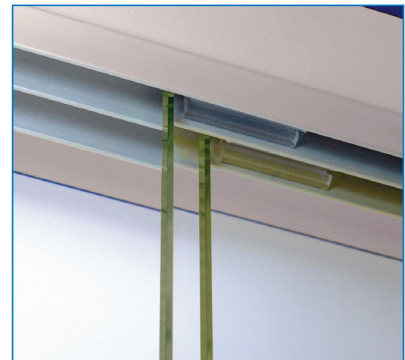
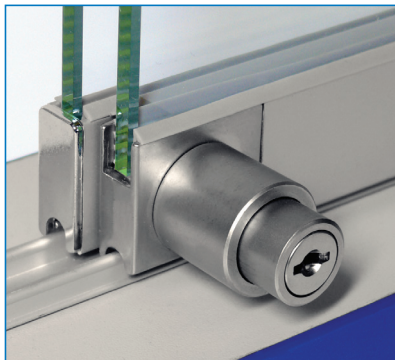
- Alu finish - key to differ # 14.09.440
- Alu finish - key alike # 14.09.441
- Alu finish - w/master key # 14.09.442

Packing

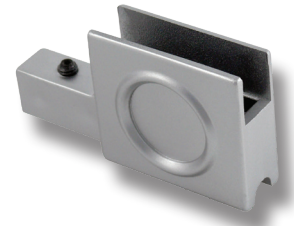
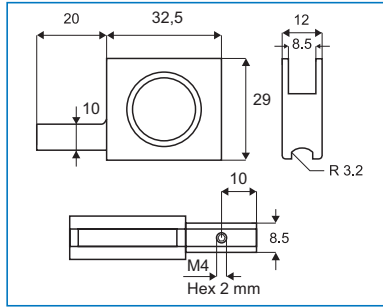
- 150 pcs per export carton
- 15 pcs per box



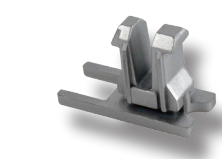
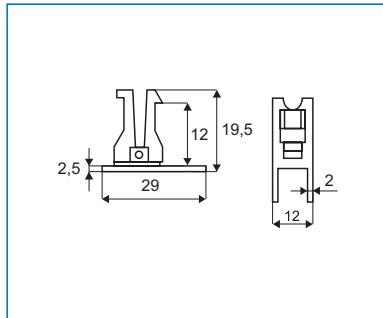
Not for sale in Germany, UK, France & Spain



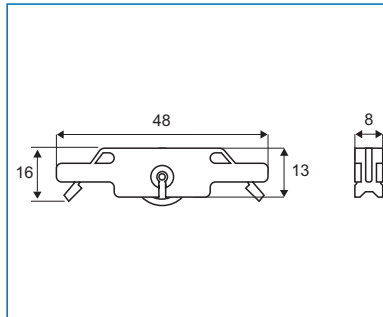
Glass door handle - Plastic
 Alu finish # 14.09.445
 F/fixing on H-rail w/grub screw



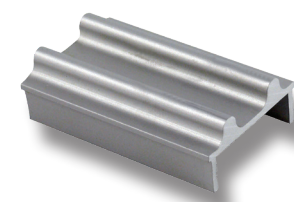
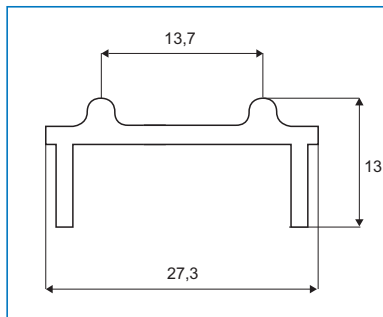
End cap - Plastic
 Alu finish # 22.26.053
 F/pressing into H-rail



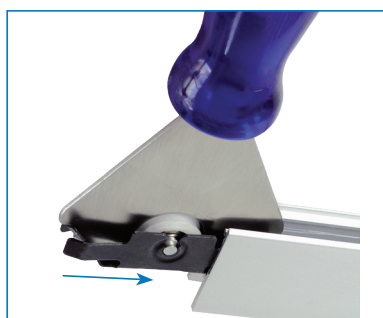
Trolley - w/ball bearing
 Zinc plated # 22.26.042
 F/fixing on H-rail be use of tool # 22.26.08
 Load capacity: 5 kg pr. trolley



Bottom frame track
 Aluminium
 Anodized # 22.26.032
 2 metres length



Tool for fixing trolley
 Blue # 22.26.080

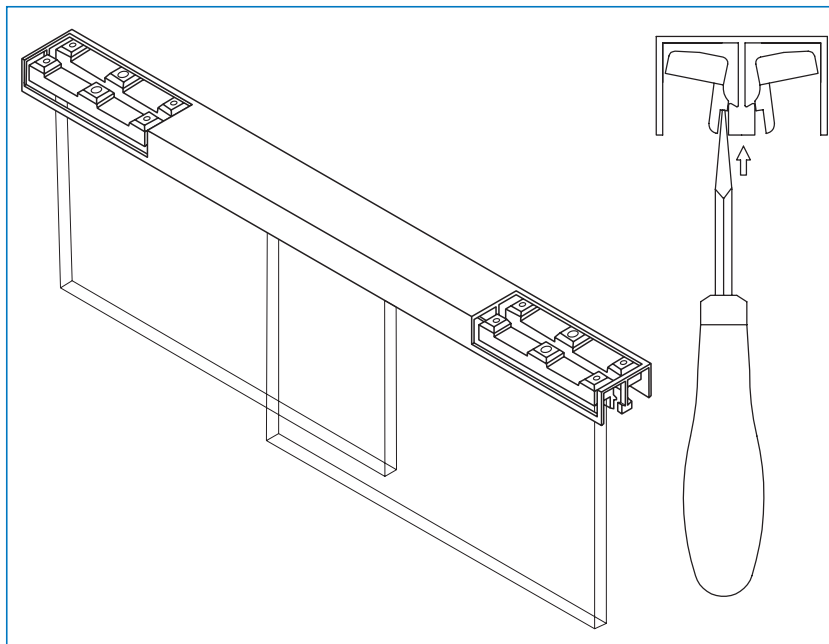


ACCESSORIES F/LOCK #2740 "M"

- high quality furniture fittings

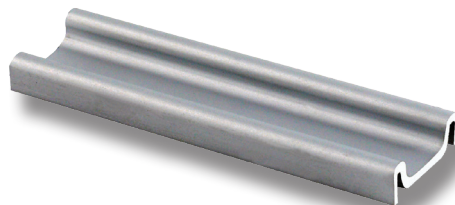
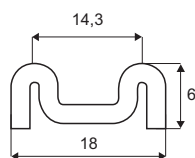
Anti-lift stopper - Plastic

Transparent # 22.26.075
F/pressing into top E-track to prevent lifting of glass



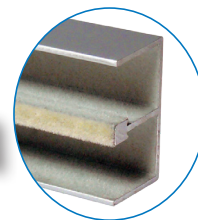
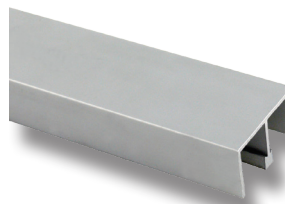
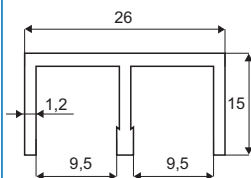
Bottom Track

Aluminium # 22.26.031
Anodized
2 metres length



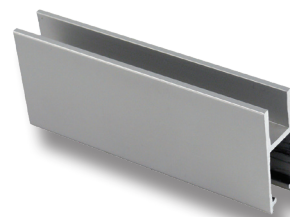
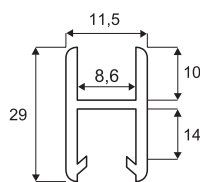
Top E-track with felt

Aluminium # 22.26.011
Anodized
2 metres length



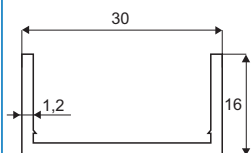
Glass H-rail f/ 5 - 6 mm glass

Aluminium # 22.26.023
Anodized
2 metres length



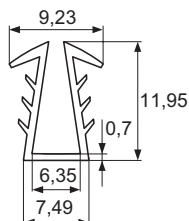
Side & bottom frame track

Aluminium # 22.26.025
Anodized
2 metres length



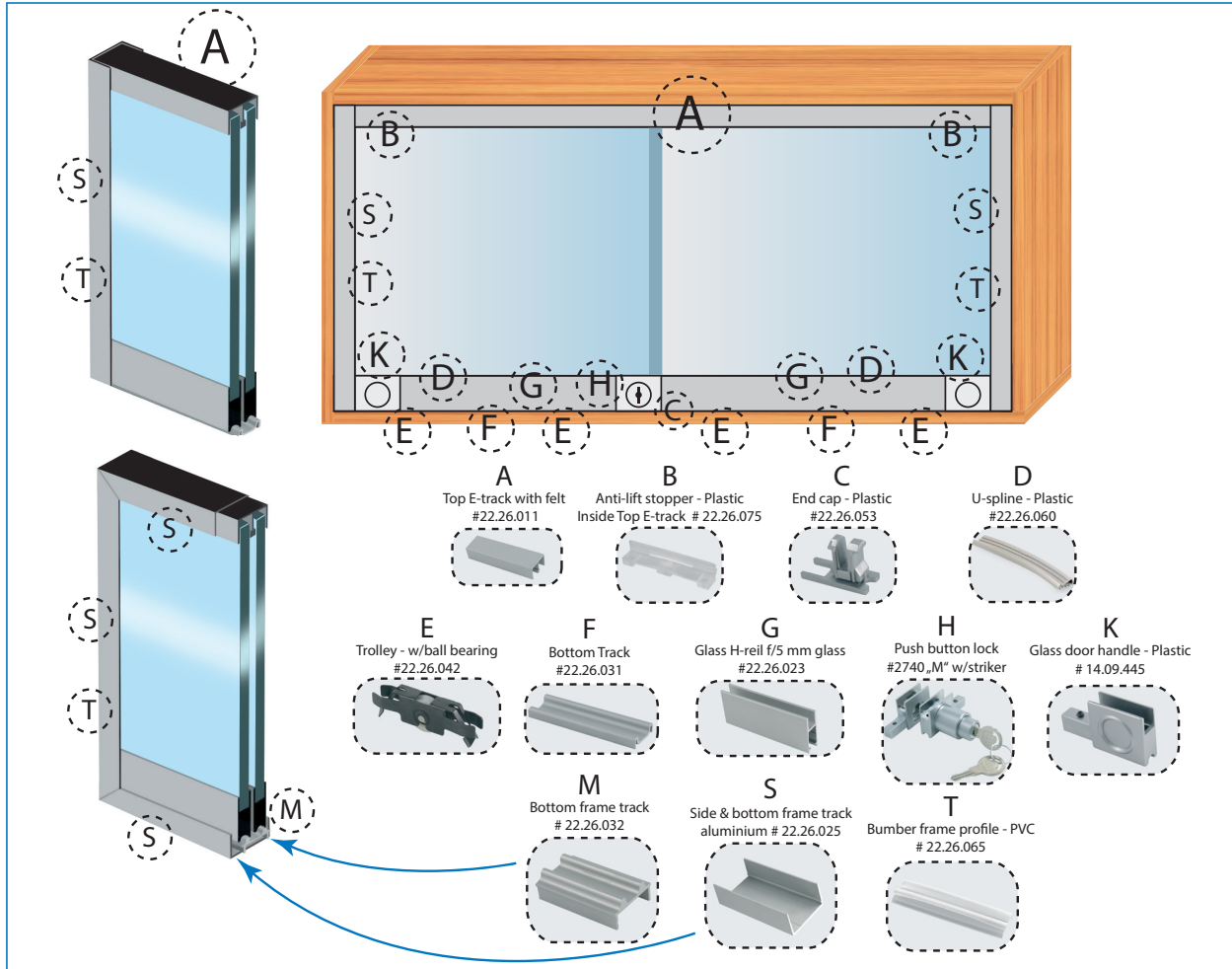
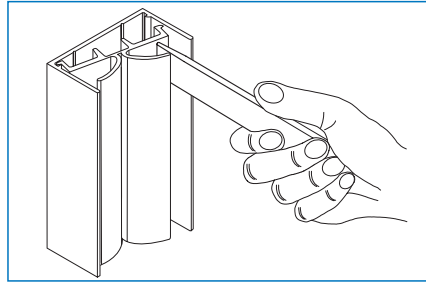
U-SPLINE PVC

Grey color #22.26.060
Rolls of 100 meters



ACCESSORIES F/LOCK #2740 "M"

Bumper frame profile - PVC
Transparent # 22.26.065
2 metres length



#2740 MODEL

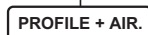
With frame and high bottom rail (like on picture):

$$GW = ((W - 2,50 \text{ mm}) + 30 \text{ mm}) \times 0,5$$



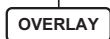
With bumpers at the sides deduct 10 mm from the GW result.

$$GH = H - 40 \text{ mm}$$



Without frame and with low bottom rail:

$$GW = (W + 30 \text{ mm}) \times 0,5$$

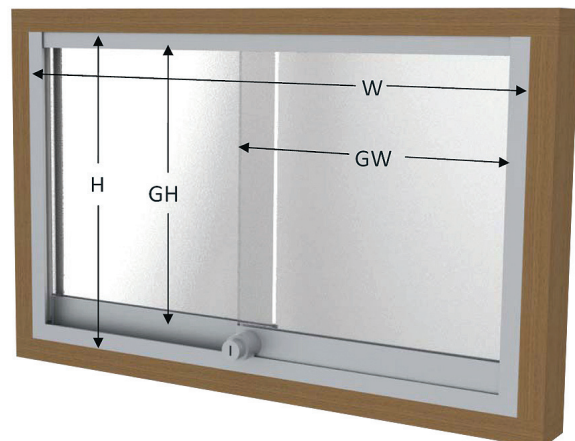


With bumpers at the sides deduct 10 mm from the GW result.

$$GH = H - 32 \text{ mm}$$



W = Inside width of frame
GW = Glass width
H = Inside height of frame
GH = Glass height



GLASS DOOR LOCK #907 "M" - SLIDING DOORS

- high quality furniture fittings

MODEL #907

Finish

Chrome plated	# 14.09.417
Mat nickel plated	# 14.09.416
Gold plated	# 14.09.418
Black anodized	# 14.09.419

Application

Glass sliding doors

Accessories

- 1 lock
- 2 car keys, double entry
- 2 transparent washers

Function

Push and turn key
90° to lock or unlock

Specification

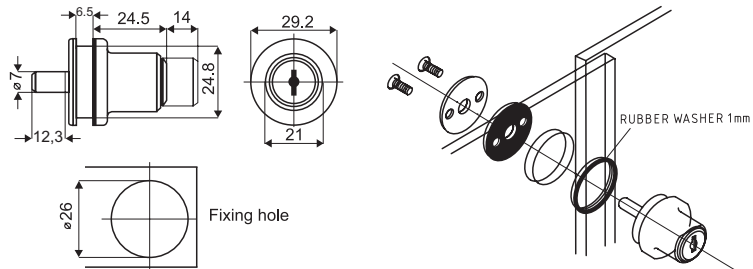
Zamak
400 key combinations or key alike

Options

Master key system

Packing

200 pcs per box



GLASS DOOR LOCK #910 "MIC" SINGLE DOOR, HINGED

MODEL #910

Finish

Chrome plated	# 14.09.108
---------------	-------------

Application

Glass hinged doors	4-6 mm
Bore	Ø 25 mm

Accessories for one set

- 1 cylinder lock
- 5 washer (plastic & rubber)
- 1 zamak stopper
- 2 metal keys, double entry

Function

Turn key 180° to lock or unlock
- w/click sound

Specification

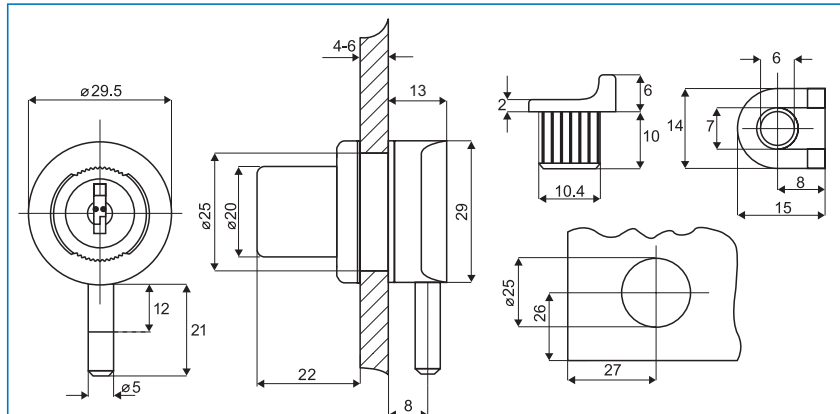
Zamak
400 key combinations or key alike

Options

Master key and interchangeable system

Packing

240 pcs per export carton



GLASS DOOR LOCK #689 "MIC" SINGLE DOOR, HINGED

MODEL #689

Finish

- Chrome plated # 14.09.130
- Mat nickel plated # 14.09.131
- Gold plated # 14.09.129
- Alu finish # 14.09.132
- Black anodized # 14.09.136

Application

Glass hinged doors 4-6 mm
Bore: Ø 26 mm

Accessories for one set

- 1 cylinder lock
- 5 plastic washer
- 1 zamak stopper
- 2 car keys, double entry

Function

Turn key 180° to lock
or unlock - w/click sound

Specification

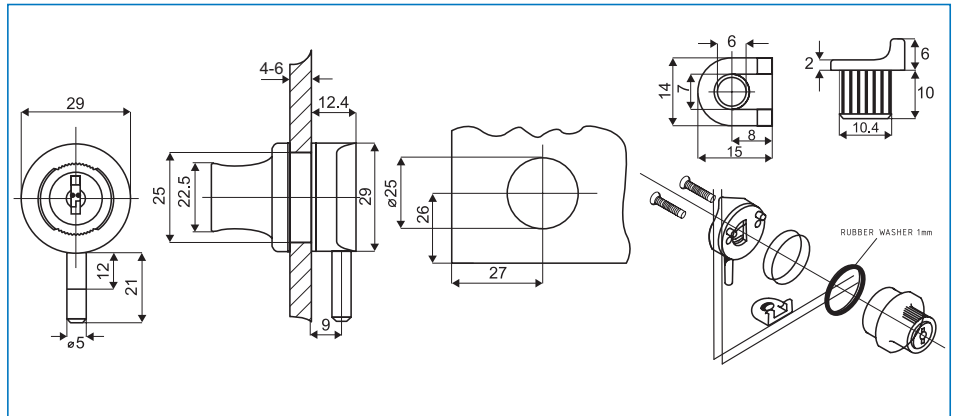
Zamak
400 key combinations or key alike

Option

Master key
and interchangeable system

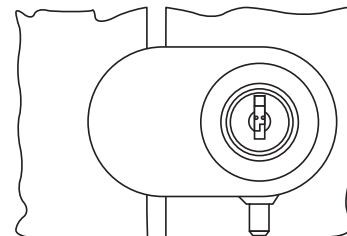
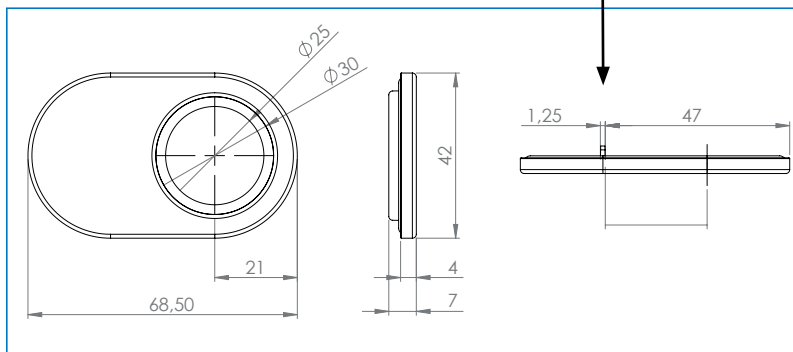
Packing

20/200 pcs per box



DOUBLE DOOR COVER/STRIKER FOR LOCK #685

- Chrome plated # 14.09.170
- Mat nickel plated # 14.09.171
- Alu finish # 14.09.172
- Gold plated # 14.09.173
- Nickel plated # 14.09.174

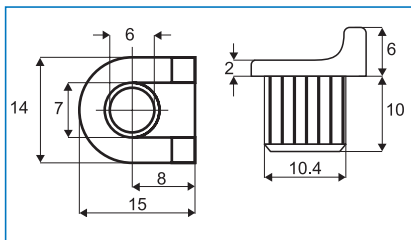


DOOR STOPPER

DOOR STOPPER w/hole

Finish: black plastic # 14.09.118

Application: inset glass door hinged
Recommended to use with locks
X-689 and 910 (as a stopper and
striking plate)



GLASS DOOR LOCK #916 "M" DOUBLE OR SINGLE DOORS, HINGED

- high quality furniture fittings



MODEL #916

Finish

Black anodized # 14.09.047
 Chrome plated # 14.09.048
 Gold plated # 14.09.049

Application

Hinged glass doors 4-6 mm
 Bore Ø 19 mm

Accessories for one set

1 cam lock
 1 straight steel cam
 1 plastic washer + 1 hex nut
 1 flat striking plate: 11 x 57 mm
 2 car keys, double entry
 1 front plate zamak

Function

Turn key 180° to lock
 or unlock - w/click action

Specification

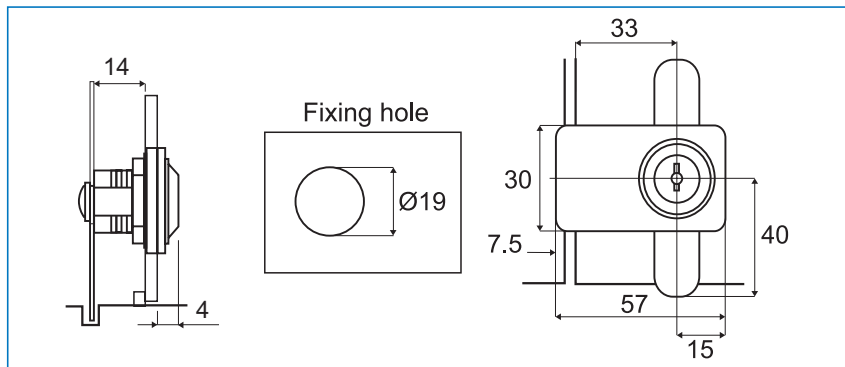
Plate & house: zamak
 400 key combinations or key alike

Option

Master key system

Packing

12 pcs per box
 240 pcs per export carton



GLASS DOOR LOCK "SAFE" "M" SINGLE DOOR, HINGED

MODEL "SAFE"

Finish

Chrome plated # 14.09.320

Application

Single glass door, hinged
 Bore Ø 19 mm

Accessories for one set

1 cam lock
 1 hexagonal nut
 1 plastic washer
 1 straight cam
 1 front plate
 1 flat striking plate
 2 car keys, double entry

Function

Turn key 90°
 to lock or unlock - w/click sound

Specification

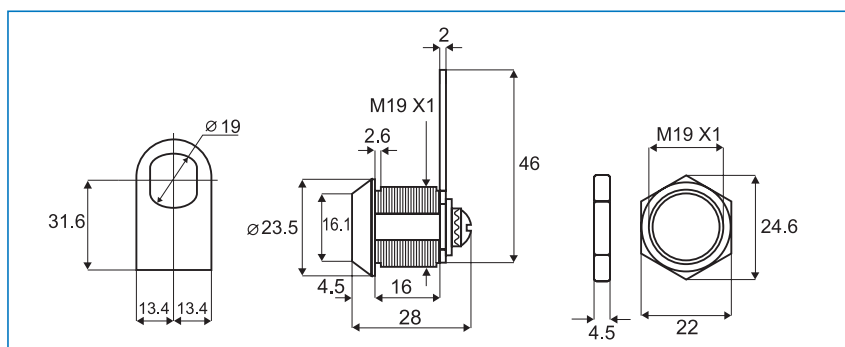
Zamak
 400 key combinations or key alike

Option

Master key system

Packing

12 pcs per box
 240 pcs per export



GLASS DOOR LOCK "VETRO" "MIC" SINGLE DOOR, HINGED

MODEL "VETRO"

Finish

Chrome plated	# 14.09.261
Gold plated	# 14.09.260
Black anodized	# 14.09.262

Application

Single glass door, hinged
No boring required

Glass thickness: 4 - 6 mm

Accessories for one set

- 1 lock w/front plate:
- 2 fastening screws
- 1 flat striking plate
- 2 car keys double entry
- 1 plastic distance plate

Function

Turn key 180° to lock
and reverse to unlock

Specification

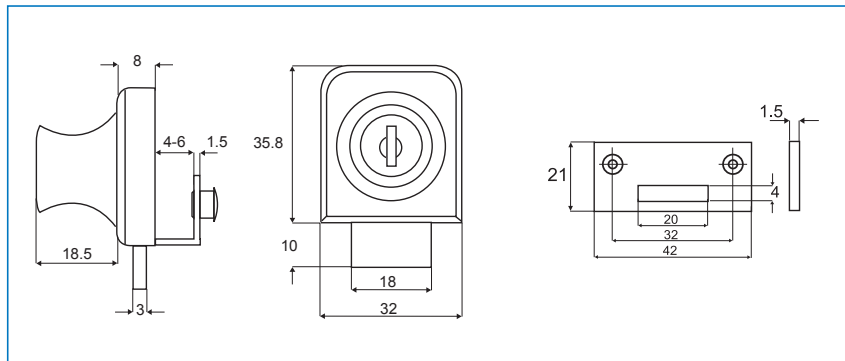
Zamak
400 key combinations
or key alike

Option

Master key
and interchangeable system

Packing

24 pcs per box
240 pcs per export carton



GLASS DOOR LOCK "VETRO-DOUBLE" "MIC" DOUBLE DOORS, HINGED

MODEL "VETRO-DOUBLE"

Finish

Chrome plated	# 14.09.270
Gold plated	# 14.09.271
Black anodized	# 14.09.272

Application

Double glass doors, hinged
No boring required

Glass thickness: 4 - 6 mm

Accessories for one set

- 1 lock w/front plate
- 2 fastening screws
- 1 flat striking plate
- 2 car keys double entry
- 1 plastic distance plate

Optionals

Door stopper	# 14.09.118
Spring stopper	# 14.09.119

Function

Turn key 180°
to lock and reverse to unlock

Specification

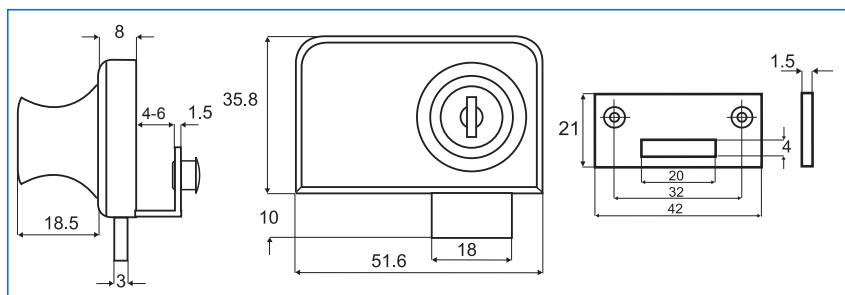
Zamak, 400 key combinations
or key alike

Option

Master key
and interchangeable system

Packing

24 pcs per box
240 pcs per export carton



GLASS DOOR LOCK #64081 "MIC" SINGLE DOOR, HINGED

- high quality furniture fittings



MODEL #64081

Finish

Chrome plated # 14.09.210
Gold plated # 14.09.211
Black anodized # 14.09.212

Application

Single glass door, hinged
No boring required

Glass thickness: 4 - 6 mm

Accessories for one set

1 lock w/front plate
2 fastening screws
1 flat striking plate
2 car keys double entry
1 plastic distance plate

Function

Turn key 180° to lock
and reverse to unlock

Specification

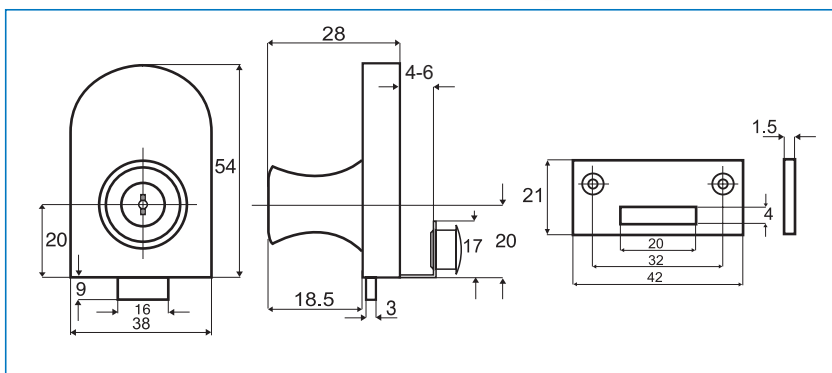
Zamak
400 key combinations
or key alike

Option

Master key
and interchangeable system

Packing

20 pcs per box
200 pcs per export carton



GLASS DOOR LOCK #917 "MIC" NO BORE - DOUBLE DOORS, HINGED

MODEL #917

Finish

Chrome plated # 14.09.220
Alu finish # 14.09.223

Application

Double glass doors, hinged
No boring required

Glass thickness: 4 - 6 mm

Accessories for one set

1 lock w/large front plate
2 fastening screws
1 flat striking plate
2 car keys double entry
1 plastic distance plate

Optionals

Door stopper # 14.09.118
Spring stopper # 14.09.119

Function

Turn key 180° to lock
and reverse to unlock

Specification

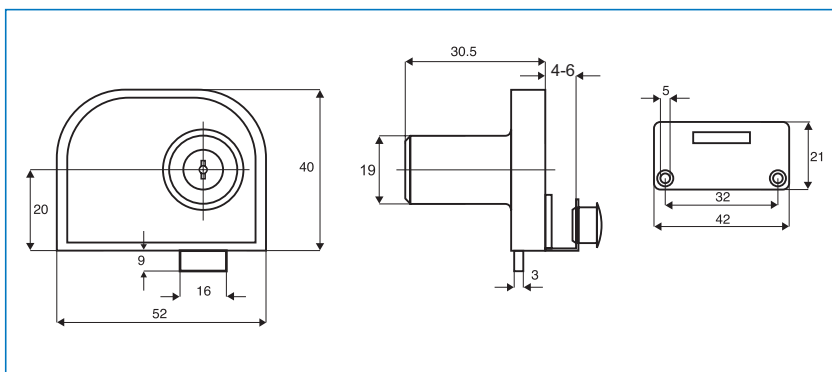
Zamak
400 key combinations or key alike

Option

Master key
and interchangeable system

Packing

12 pcs per box
240 pcs per export box carton



GLASS DOOR LOCK #918 "MIC" NO BORE - SINGLE DOOR, HINGED

MODEL No. 918

FINISH

Chrome plated # 14.09.217
Alu finish # 14.09.217-1

Application

Single glass doors, hinged
No boring required

Glass thickness: 4 - 6 mm

Accessories for one set

1 lock w/front plate
2 fastening screws
1 flat striking plate
2 car keys double entry
1 plastic distance plate

Optionals

Door stopper # 14.09.118
Spring stopper # 14.09.119

Function

Turn key 180°
to lock and reverse to unlock

Specification

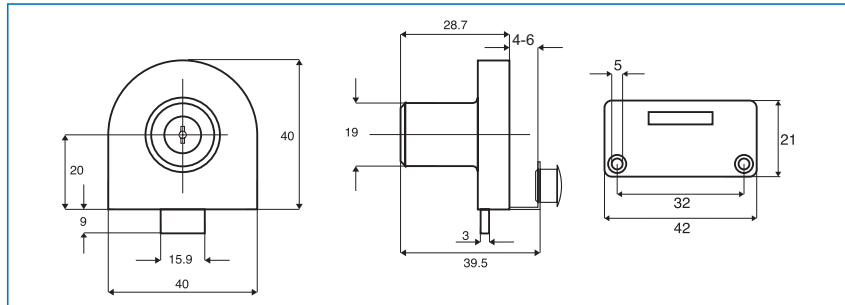
Zamak
400 key combinations or key alike

Option

Master key
and interchangeable system

Packing

12 pcs per box
240 pcs per export carton



STRIKER (FOR LOCK #918) FOR DOUBLE HINGED DOORS

MODEL "STRIKER"

Finish

Chrome plated # 14.09.246
Alu finish # 14.09.247
Gold plated # 14.09.248

Application

Double glass door, hinged
No boring required

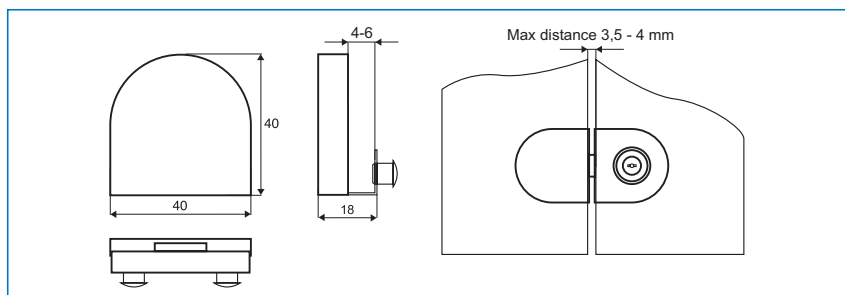
Glass thickness: 4 - 6 mm

Accessories for one set

1 lock w/front plate
2 fastening screws
1 flat striking plate
1 plastic distance plate

Packing

24 pcs per box
240 pcs per export carton



SHELF SUPPORTS FOR GLASS

- high quality furniture fittings

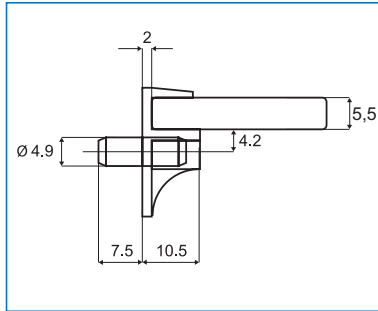
SISO
DENMARK

GLASS SHELF SUPPORT - with retainer

Material: Steel pin Ø5 mm, bright zinc plated and transparent plastic support with retainer

Suitable for GLASS THICKNESS 5,5 mm

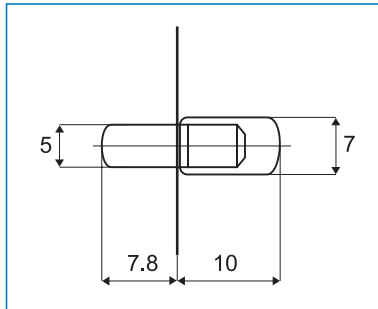
Item No.: # 22.02.080



GLASS SHELF SUPPORT „CRISTAL“

Material: Steel pin Ø5 mm, mantled with transparent plastic to 7 mm diam.

Finish: Bright zinc plated # 22.02.037
Brass plated # 22.02.038

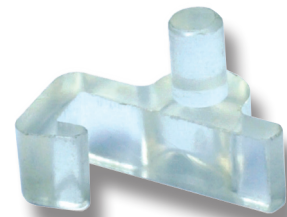
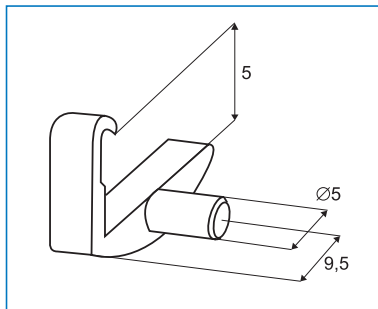


GLASS SHELF SUPPORT

with slide lock No. 1630
- moulded in sets (left + right)

Material: Transparent plastic
Pin: Ø5 mm
Bore hole: 9,5 mm from edge
Glass: 5 mm

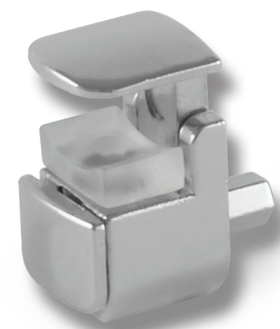
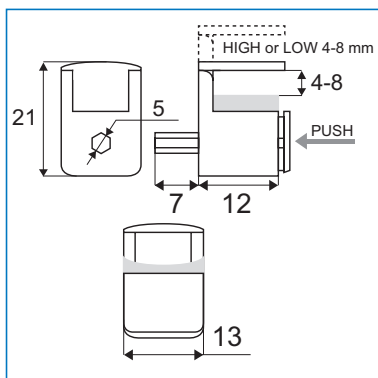
Item No.: # 22.02.082



GLASS SHELF SUPPORT „PARROT“ w/clip fixing to secure the glass

Material: Zamak, Nickel plated
Pin: Ø5 mm
Glass thickness: 4 - 8 mm

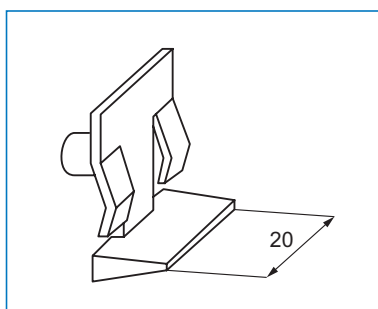
Item No.: # 22.02.456



SHELF SUPPORT - w/ flexible Retainer for GLASS SHELVES (min. 5 mm)

Material: Plastic
PIN: 5 mm
For glass minimum 5 mm

Colour: White # 22.02.066
Black # 22.02.067

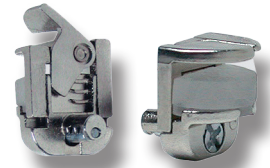
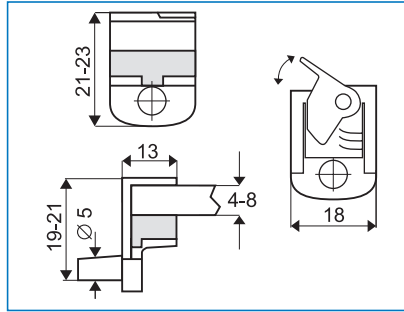


**SHELF SUPPORT „ALFA“ - w/ catch
for glass 4-8 mm**

With eccentric pin $\varnothing 5$ mm

Material: Zamak, Nickel plated

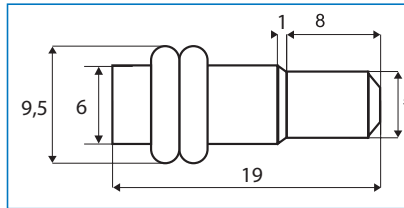
Item No.: # 22.02.245



**SHELF SUPPORT
w/2 rubber O-rings**

Material: Steel, NPL

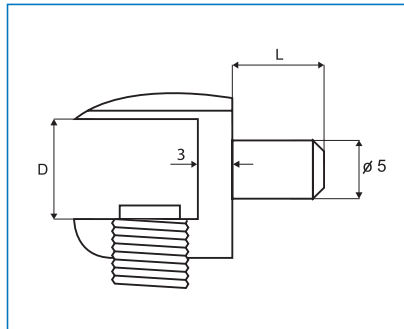
Item No.: # 22.02.200



**SHELF SUPPORT
w/soft plastic screw**

Material: Zamak, nickel plated

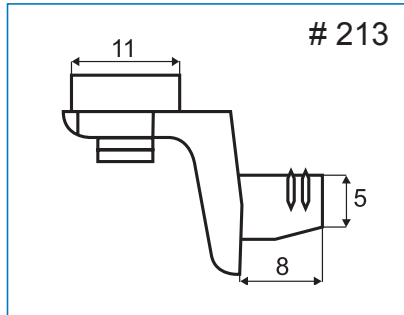
Sizes: D \varnothing L Item No.:
8 mm 5 mm 8 mm # 22.02.231
5 mm 5 mm 8 mm # 22.02.230



SHELF SUPPORT W/SUCTION PAD

Material: Zamak, nickel plated

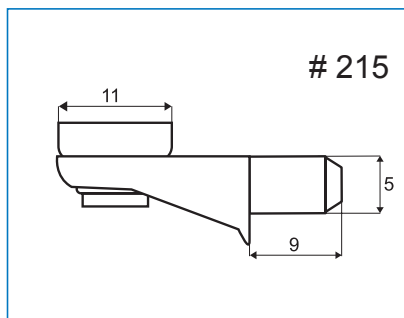
Model: # 213
No. 213 Item No.: # 22.02.240



SHELF SUPPORT W/SUCTION PAD

Material: Zamak, nickel plated

Model: # 215
No. 215 Item No.: # 22.02.241



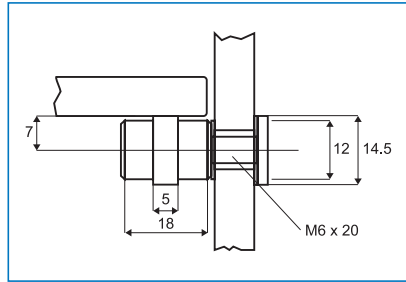
SHELF SUPPORTS FOR GLASS

- high quality furniture fittings

SISO
DENMARK

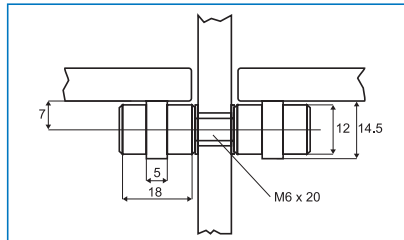
SHELF SUPPORT - "Single" - Brass - w/1 black rubber ring

Material: Brass, nickel plated
Size: Ø12 x 18 mm
Bore: Ø8 mm
Glass thickness: 6 - 8 mm
Item No.: # 22.02.115



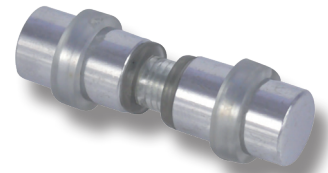
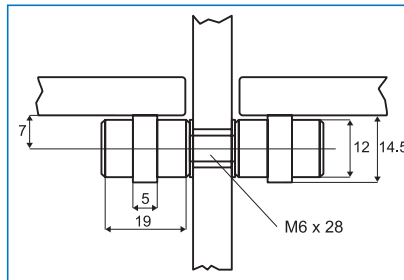
SHELF SUPPORT - "Double" - Brass - w/2 black rubber rings

Material: Brass, nickel plated
Size: 2 pcs each
 Ø12 x 18 mm
Bore: Ø8 mm
Glass thickness: 6 - 8 mm
Item No.: # 22.02.116



SHELF SUPPORT - "Double" - Steel - w/2 transparent rings

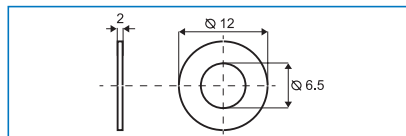
Material: Steel, chrome plated
Size: 2 pcs each
 Ø12 x 19 mm
Bore: Ø8 mm
Glass thickness: 4 - 8 mm
Item No.: # 22.02.111



EXTRA RUBBER washer for shelf support # 22.02.115 & 116

Transparent

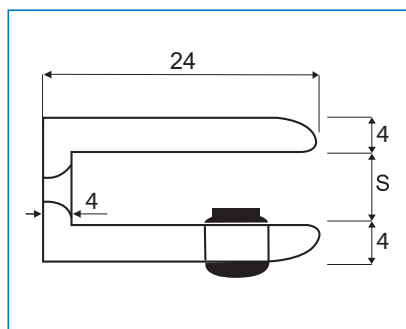
Item No.: # 22.02.114



SHELF SUPPORT - Cylindrical Mounting with wood screw Ø4,5 mm

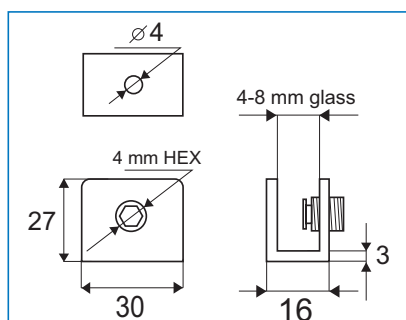
Material: Zamak

Finish:	Ø	Size	Item No.:
CPL	Ø17 mm	4 - 6 mm	# 22.02.220
ALU	Ø17 mm	4 - 6 mm	# 22.02.221
CPL	Ø20 mm	8 - 10 mm	# 22.02.210
ALU	Ø20 mm	8 - 10 mm	# 22.02.213



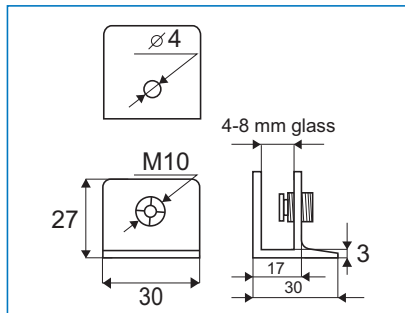
GLASS SHELF SUPPORT „SQUARE“ w/Ø4 mm screw hole, CSK

Material: Zamak
Size: (W/H/D) 30 x 27 x 16 mm
Glass thickness: 4 - 8 mm
Finish: **Item No.:**
 Chrome plated # 22.02.560
 Alu finish # 22.02.561
 SS-look # 22.02.563



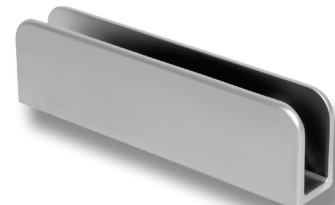
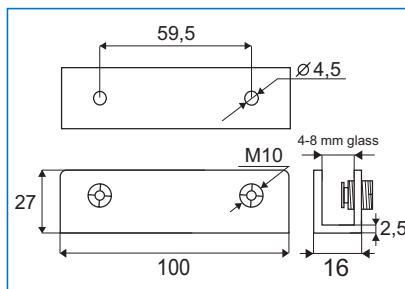
GLASS SHELF SUPPORT „SQUARE“ "X-STRONG"

Material: Zamak
Size: (W/H/D) 30 x 30 x 27 mm
Glass thickness: 4 - 8 mm
Mounting: Ø4 mm CSK hole
Finish: **Item No.:**
 Chrome plated # 22.02.610
 Alu finish # 22.02.611



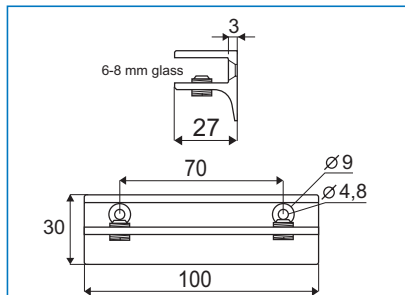
GLASS SHELF SUPPORT „SQUARE XL“

Material: Zamak
Size: (W/H/D) 100 x 16 x 27 mm
Glass thickness: 4 - 8 mm
Mounting: Ø4 mm CSK hole
Finish: **Item No.:**
 Chrome plated # 22.02.565
 Alu finish # 22.02.566



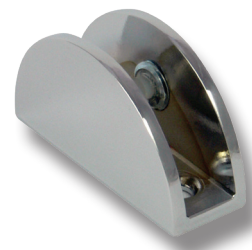
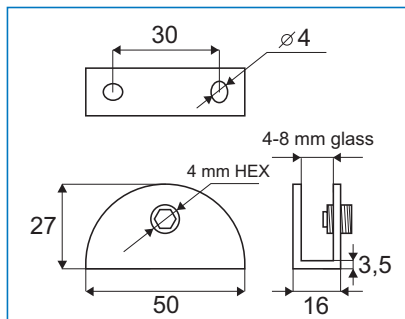
GLASS SHELF SUPPORT "SHELFIE"

Material: Zamak
Size: (W/H/D) 100 x 30 x 27 mm
Glass thickness: 6 - 8 mm
Mounting: Ø 5 mm CSK Holes
Item No.: # 22.02.625



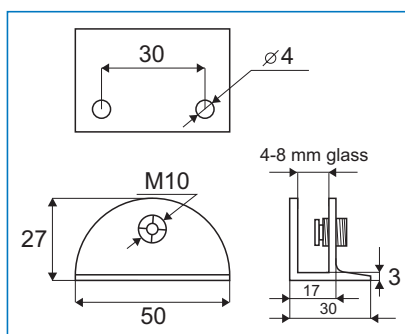
GLASS SHELF SUPPORT „HALF MOON“ w/Ø4 mm screw hole, CSK

Material: Zamak
Size: (W/H/D) 50 x 16 x 27 mm
Glass thickness: 4 - 8 mm
Finish: **Item No.:**
 Chrome plated # 22.02.570
 Alu finish # 22.02.571
 SS-look # 22.02.573



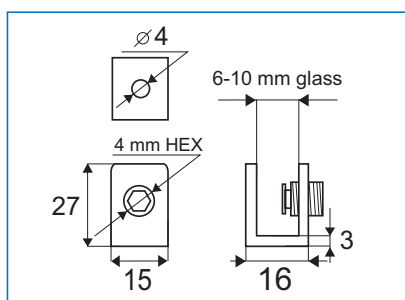
GLASS SHELF SUPPORT „HALF-MOON“ "X-STRONG"

Material: Zamak
Size: (W/H/D) 50 x 30 x 27 mm
Glass thickness: 4 - 8 mm
Mounting: Ø4 mm CSK hole
Finish: **Item No.:**
 Chrome plated # 22.02.620
 Alu finish # 22.02.621



GLASS SHELF SUPPORT „MUS“ w/Ø4 mm screw hole, CSK

Material: Zamak
Size: (W/H/D) 15 x 16 x 27 mm
Glass thickness: 6 - 10 mm
Finish: **Item No.:**
 Chrome plated # 22.02.600
 Alu finish # 22.02.601
 SS-look # 22.02.603



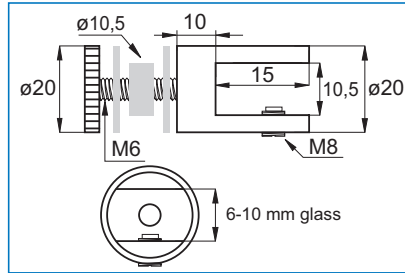
SHELF SUPPORTS FOR GLASS

- high quality furniture fittings

SISO DENMARK

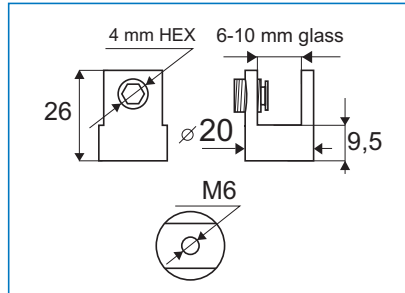
GLASS SHELF SUPPORT „CYLINDRICAL“ F/GLASS WALL FIXING

Material: Brass
Size: Ø20 x 26 mm
Glass thickness: 6 - 10 mm
Item No.:
Chrome plated # 22.02.235



GLASS SHELF SUPPORT „CYLINDRICAL“ W/M6 mm screw hole

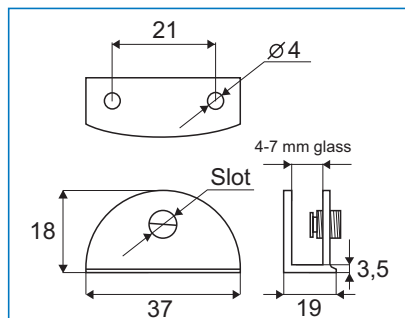
Material: Zamak
Size: Ø20 x 26 mm
Glass thickness: 6 - 10 mm
Finish: Item No.:
Chrome plated # 22.02.226
Alu finish # 22.02.227
SS-look # 22.02.228



GLASS SHELF SUPPORT „DOME“ SMALL w/Ø4 mm screw hole, CSK

Material: Zamak, Chrome plated
Size: (W/H/D) 37 x 19 x 18 mm
Glass thickness: 4 - 7 mm
Item No. # 22.02.575

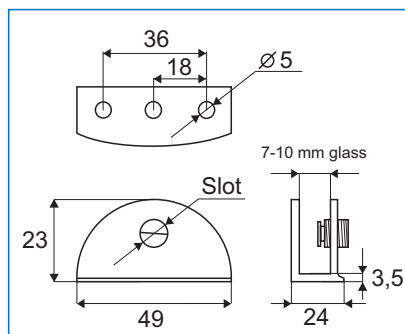
Inclusive screws and wall plugs



GLASS SHELF SUPPORT „DOME“ LARGE w/Ø5 mm screw holes, CSK

Material: Zamak
Size: (W/H/D) 49 x 24 x 23 mm
Glass thickness: 7 - 10 mm
Finish: Item No.:
Chrome plated # 22.02.580

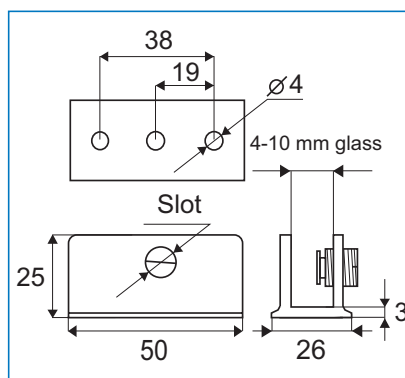
Inclusive screws and wall plugs



GLASS SHELF SUPPORT „RECTA“ LARGE w/Ø5 mm screw holes, CSK

Material: Zamak, Chrome plated
Size: (W/H/D) 50 x 26 x 25 mm
Glass thickness: 4 - 10 mm
Item No. # 22.02.595

Inclusive screws and wall plugs

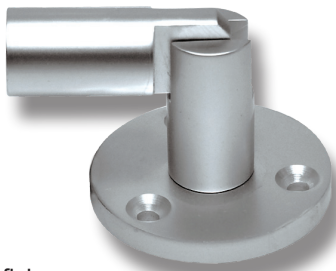
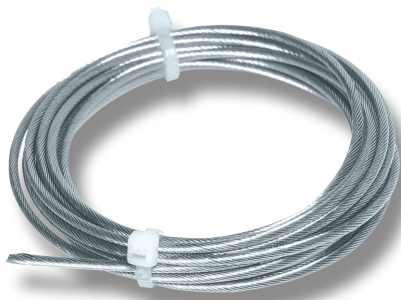


CABLE SIGN SYSTEM F/WALL MOUNTING ALUMINIUM ANODIZED

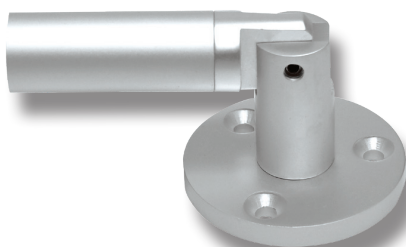
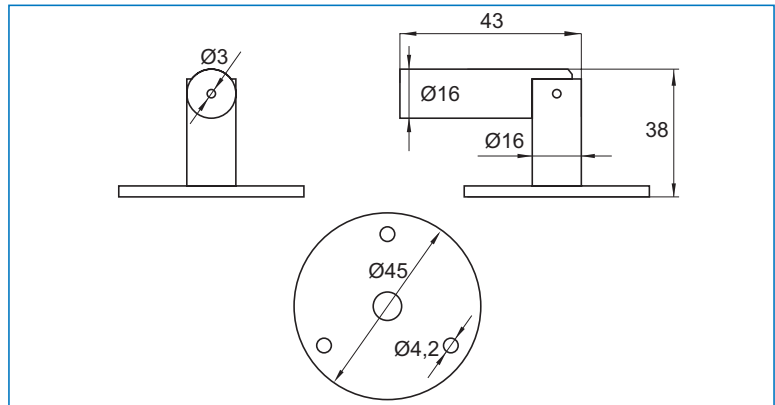
1 SET CONSISTS OF:

2 x 2 meters \varnothing 1,5 mm SS 304 wire
 2 x top fixings & 2 bottom fixings with spring tension
 Suitable for A1, A2, A3 & A4 signs
 (Sign holders to be bought separately)

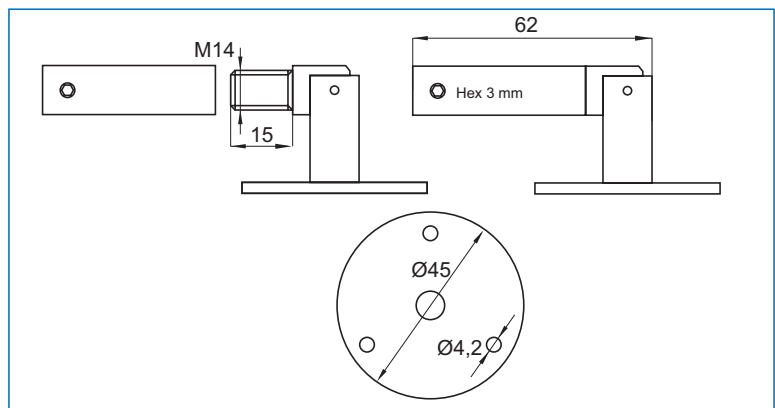
Item No. # 22.12.050



Top fixing



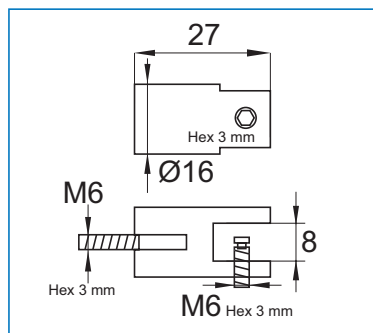
Bottom fixing



**CABLE SIGN HOLDERS
IN ALUMINIUM**

Size: \varnothing 16 x 27 mm
 Display thickness from 6 - 8 mm
 4 pcs per sign is needed

Item No. # 22.12.060



CABLE SHELF SYSTEM F/WALL MOUNTING ALUMINIUM ANODIZED

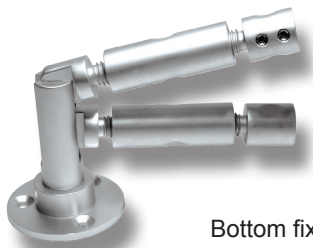
- high quality furniture fittings



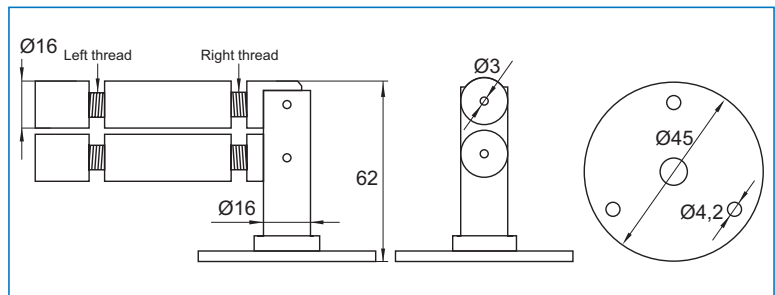
1 SET CONSISTS OF:

- 2 x 4 meters \varnothing 3 mm SS 304 wire
- 2 x top fixings & 2 bottom fixings with spring tension
- 4 x shelf sticks
- Max 20 kg per shelf
- Max shelf size: 330 x 500 mm (D/L)
- (Shelf holders to be bought separately)

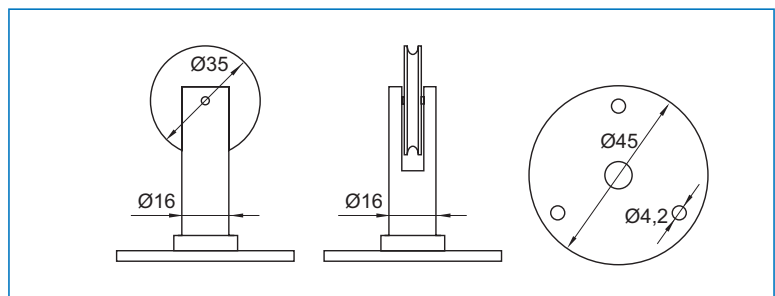
Item No. # 22.12.000



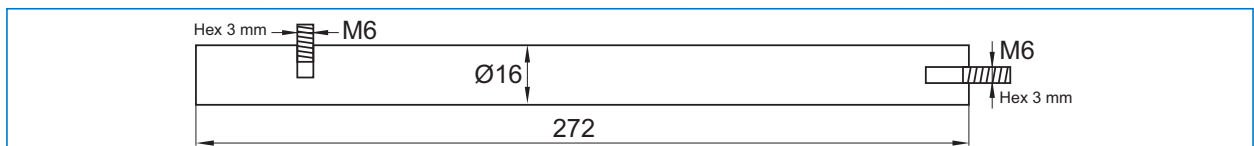
Bottom fixing



Top fixing



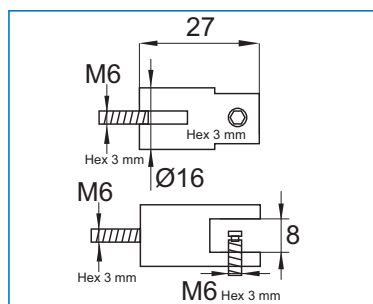
Shelf stick



CABLE SHELF HOLDERS IN ALUMINIUM

- Size: \varnothing 16 x 27 mm
- Display thickness from 6 - 8 mm
- 4 pcs per shelf is needed

Item No. # 22.12.010



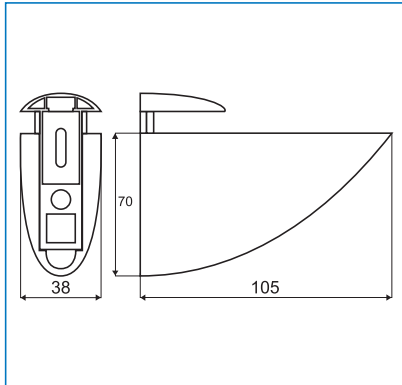
ADJUSTABLE SHELF SUPPORT „PELICANS“

MODEL NO. 53

For glass & wood shelves

Material: Zamak
Shelf thickness: 4 - 40 mm
Max load: 40 kg

Finish: **Item No.:**
 Alu finish # 22.02.550
 Polished chrome # 22.02.552
 SS-look # 22.02.553

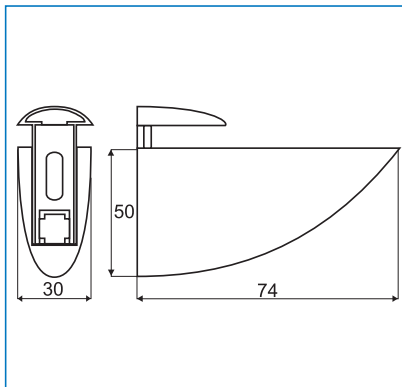


MODEL NO. 52

For glass & wood shelves

Material: Zamak
Shelf thickness: 4 - 26 mm
Max load: 30 kg

Finish: **Item No.:**
 Alu finish # 22.02.545
 Mat nickel # 22.02.546
 SS-look # 22.02.548

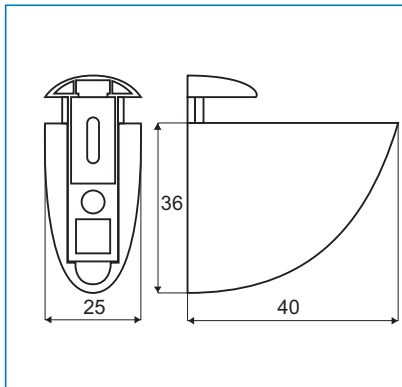


MODEL NO. 45

For glass & wood shelves

Material: Zamak
Shelf thickness: 4 - 10 mm
Max load: 20 kg

Finish: **Item No.:**
 Polished chrome # 22.02.495
 SS-look # 22.02.496

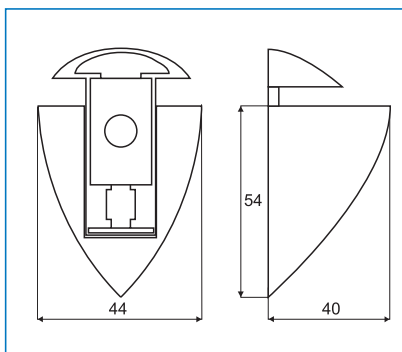


MODEL NO. 47

For glass & wood shelves

Material: Zamak
Shelf thickness: 4 - 22 mm
Max load: 20 kg

Finish: **Item No.:**
 Mat chrome coated # 22.02.510
 SS-look # 22.02.513



ADJUSTABLE SHELF SUPPORT „PELICANS“

- high quality furniture fittings

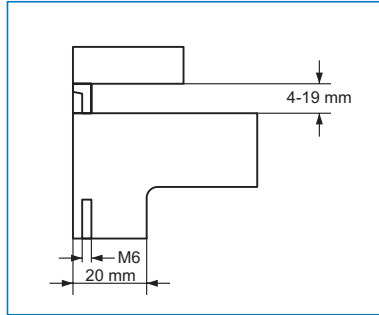
SISO
DENMARK

MODEL NO. 49

For glass & wood shelves

Material: Zamak
Shelf thickness: 4 - 19 mm
Max load: 20 kg

Finish: Chrome plated
Item No.: # 22.02.525
Alu finish # 22.02.526
SS-Look # 22.02.527
Black Mat # 22.02.528

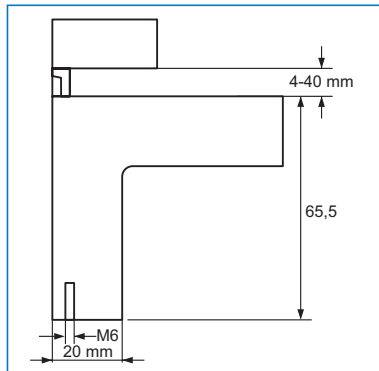


MODEL NO. 54

For glass & wood shelves

Material: Zamak
Shelf thickness: 4 - 40 mm
Max load: 20 kg

Finish: Chrome plated
Item No.: # 22.02.555
Alu finish # 22.02.556
SS-Look # 22.02.557
Black Mat # 22.02.558

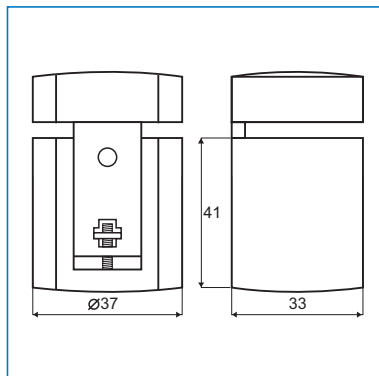


MODEL NO. 43

For glass & wood shelves

Material: Zamak
Shelf thickness: 4 - 24 mm
Max load: 20 kg

Finish: Alu finish
Item No.: # 22.02.471
Matt nickel # 22.02.474

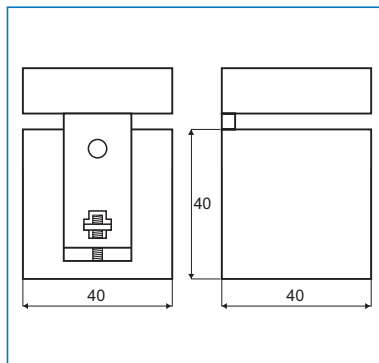


MODEL NO. 44

For glass & wood shelves

Material: Zamak
Shelf thickness: 4 - 24 mm
Max load: 20 kg

Finish: Matt nickel
Item No.: # 22.02.479



"SLOPE" SHELF BRACKET - F/SLOPING WALLS

"Slope" is an ideal shelf bracket solution for roof top apartments, bathrooms, living rooms, offices or shops where you have sloping walls. The "Slope" can be used for both wood & glass shelves.

Specifications:
Adjustable from 90° - 156°

Max depth of shelf: 45 cm

Max load: 30 kg when using 2 brackets

Size: 335 x 113 x 23,5 mm (L/H/W)

Material: Stainless Steel 304

Item No.:

Brushed	# 22.02.800
Polished	# 22.02.801
Raw	# 22.02.802

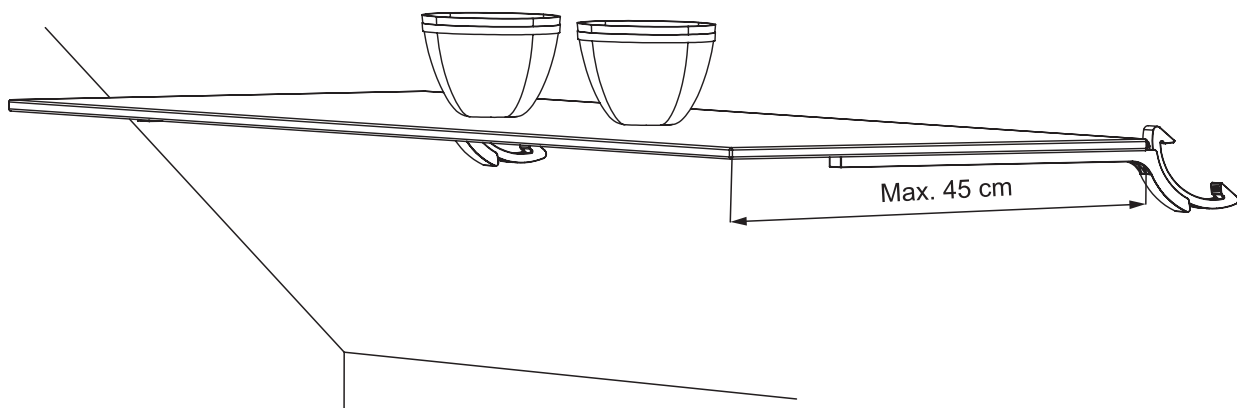
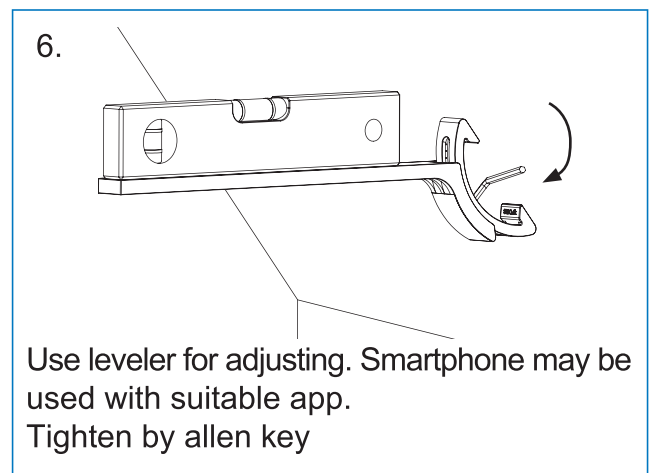
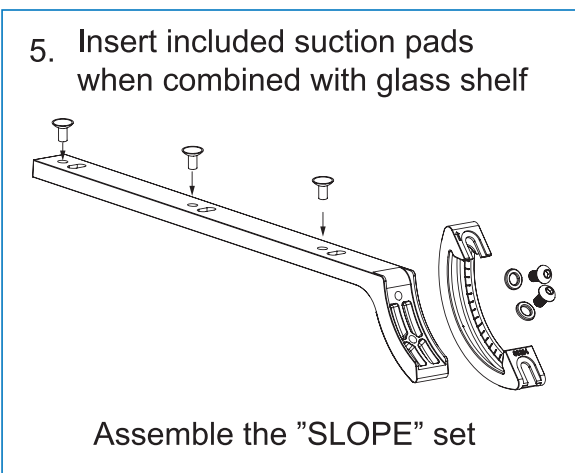
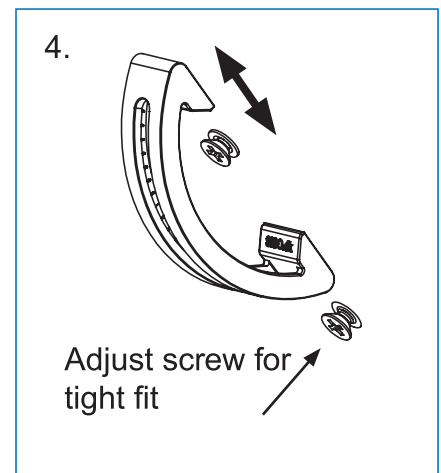
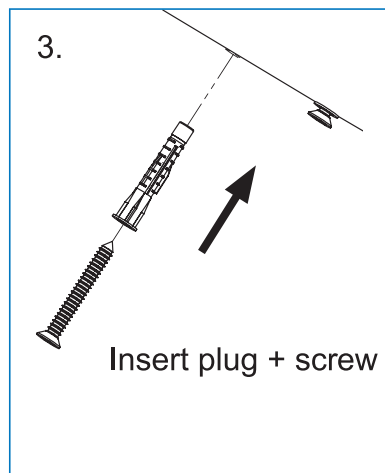
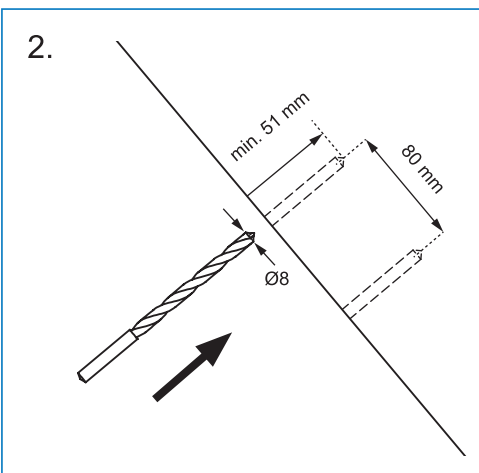
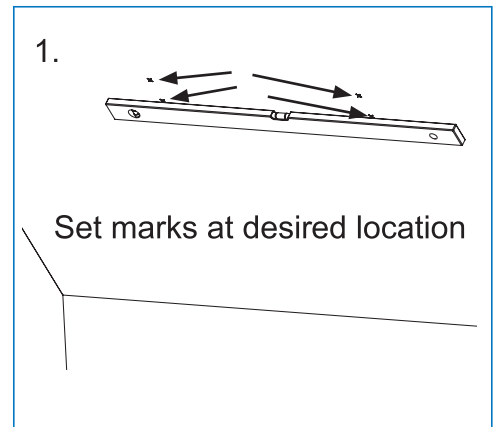
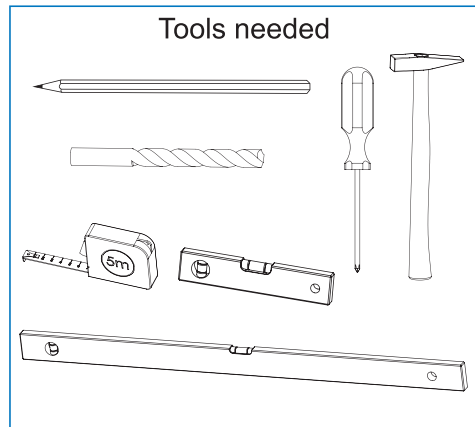
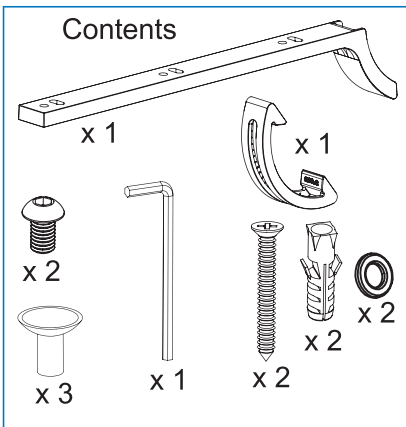
Incl.:

- 2 Socket Screws M6x8mm DIN 7984
- 2 x CSK Chipboard Screws 5 x 50mm
- 2 Plastic Wall Plugs Ø8 x 50mm
- 1 x 4mm L-shaped Hex Key
- 2 Flat Washers
- 3 x Suction Pads F/Glass Shelves
- 1 x Installation manual



"SLOPE" SHELF BRACKET – "HOW TO DO!"

- high quality furniture fittings



ZAMAK GLASS CLAMP F/WALL MOUNTING

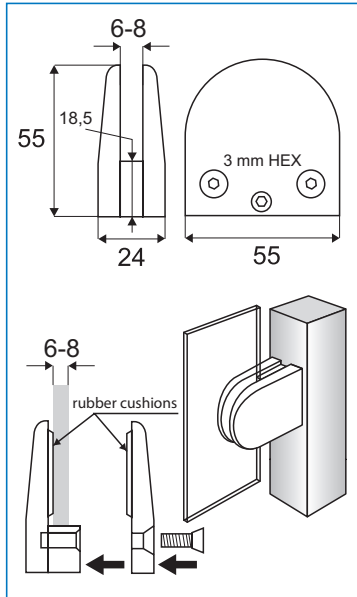
MODEL "LARGE"

Application:
Balconies, balustrade, shelves etc.

Material: Zamak

With round rubber cushions
For glass thickness 6 - 8 mm

Finish: Chrome plated # 22.10.150
Gold plated # 22.10.151
Matt nickel plated # 22.10.152



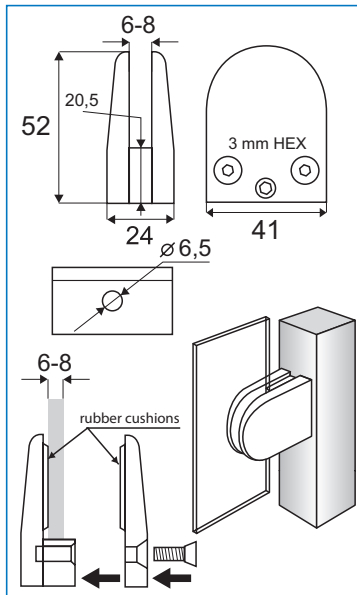
MODEL "MEDIUM"

Application:
Balconies, balustrade, shelves etc.

Material: Zamak

With flat rubber cushions
For glass thickness 6 - 8 mm

Finish: Chrome plated # 22.10.160
Matt nickel plated # 22.10.161



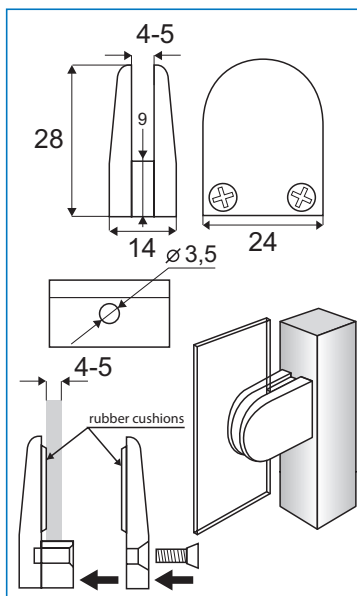
MODEL "SMALL"

Application:
Balconies, balustrade, shelves etc.

Material: Zamak

With flat rubber cushions
For glass thickness 4 - 5 mm

Finish: Chrome plated # 22.10.165
Matt nickel plated # 22.10.166



ZAMAK GLASS CLAMP F/TUBE MOUNTING

MODEL "L" F/Ø45 mm TUBE

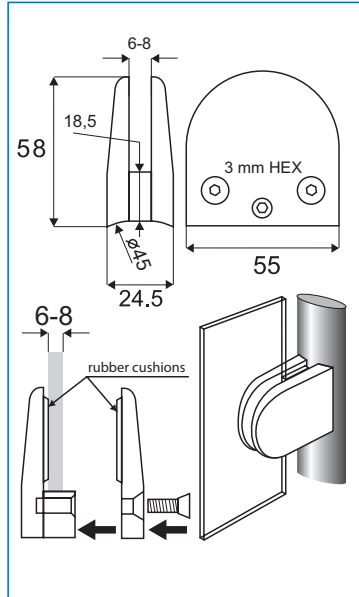
Application:

Balconies, balustrade, staircases etc.

Material: Zamak

With round rubber cushions
For glass thickness 6 - 8 mm

Finish: **Item No.:**
Chrome plated # 22.10.170
Matt nickel plated # 22.10.171



MODEL "M" F/Ø38 mm TUBE

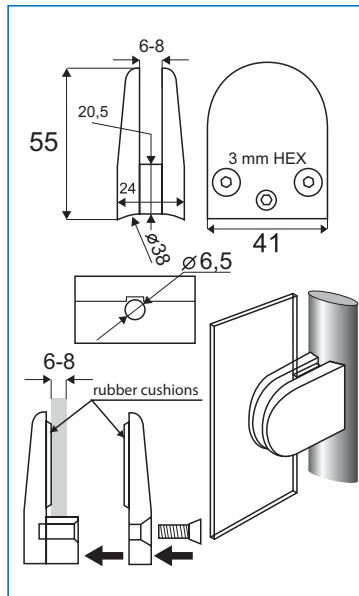
Application:

Balconies, balustrade, staircases etc.

Material: Zamak

With flat rubber cushions
For glass thickness 6 - 8 mm

Finish: **Item No.:**
Chrome plated # 22.10.175
Matt nickel plated # 22.10.176



MODEL "S" F/Ø31 mm TUBE

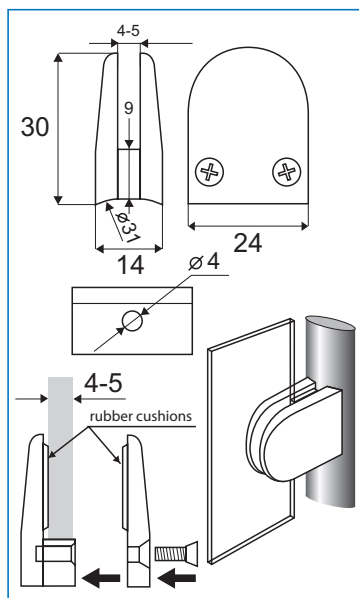
Application:

Balconies, balustrade, staircases etc.

Material: Zamak

With flat rubber cushions
For glass thickness 4 - 5 mm

Finish: **Item No.:**
Chrome plated # 22.10.180
Matt nickel plated # 22.10.181



PARTITION PANEL SUPPORT CLAMP



Application

Ideal for desktop hygiene screens in hospitals, airports, hotels, shopping malls, offices, schools etc. Easy to install. No drilling required in panel or desktop.

Material: Aluminum

Size: 66 x 300 x 80 mm (H/L/W)

Panels thickness: 6 - 8 mm

Max panel size: 1500 x 1000 x 8 mm (L/H/T)

Item No.:

Silver painted # 22.10.830

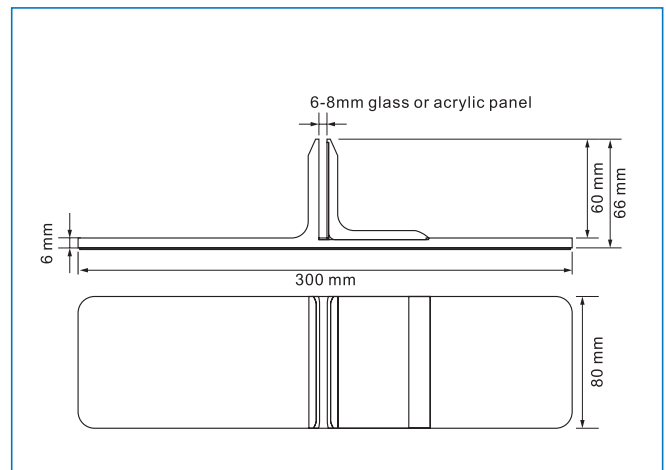
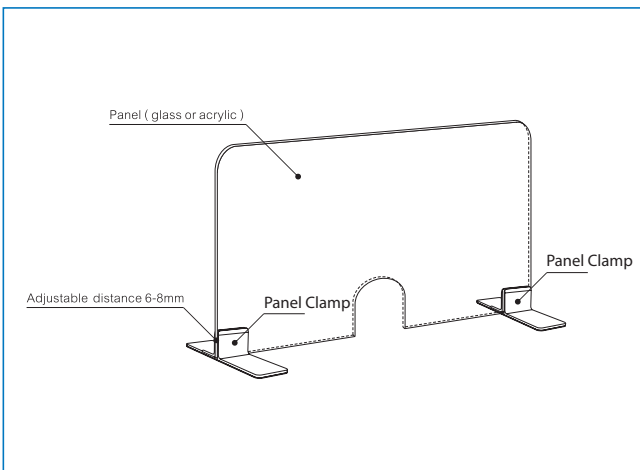
Black matt # 22.10.831

Incl. 3 white plastic gaskets in 1 mm thickness.

Attention

Sold per piece.

Packed in cartons of 2 pieces.



PARTITION PANEL CLAMPS

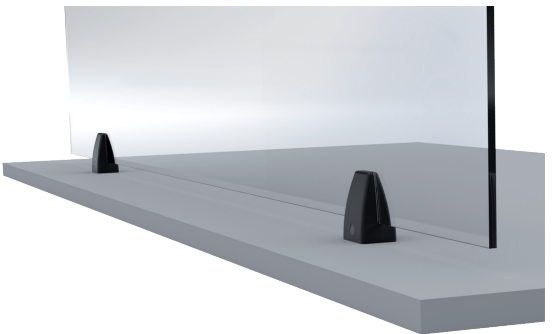
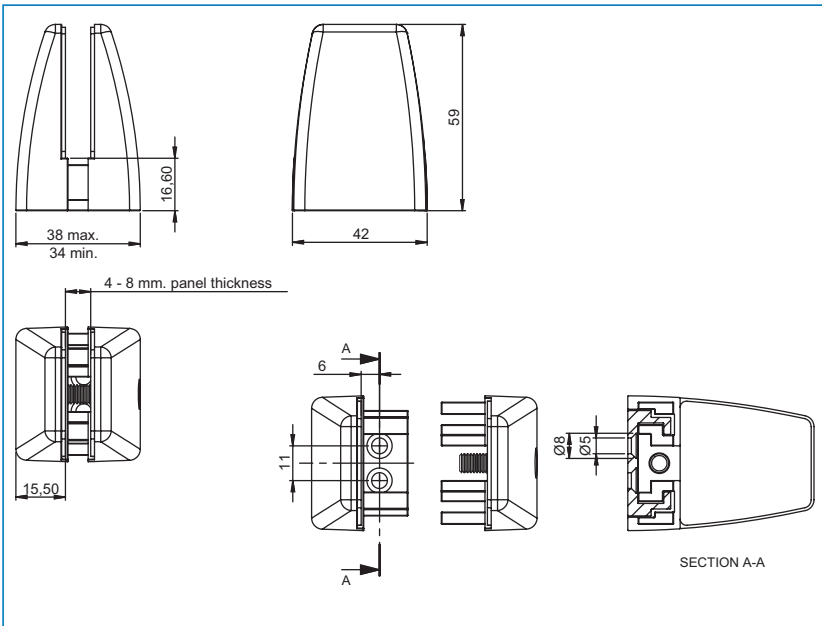
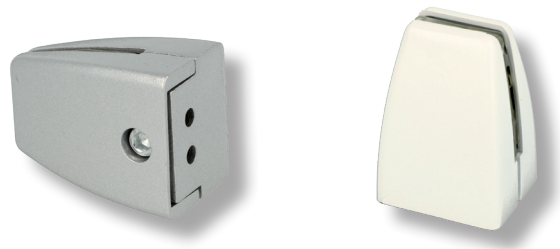
- high quality furniture fittings



- Ideal for privacy panel between desks or as sneeze guard for work stations
- Our partition panel clamps may be used with glass, acrylic, polycarbonate, wood, metal etc.
- Hold panels from 4 – 8 mm
- Easy to install.

PARTITION PANEL CLAMP "TOP FIX"

Material:	Aluminum
Panel thickness:	4 – 8 mm
White painted	# 22.10.800
Black painted	# 22.10.801
Silver painted	# 22.10.802



PARTITION PANEL CLAMPS

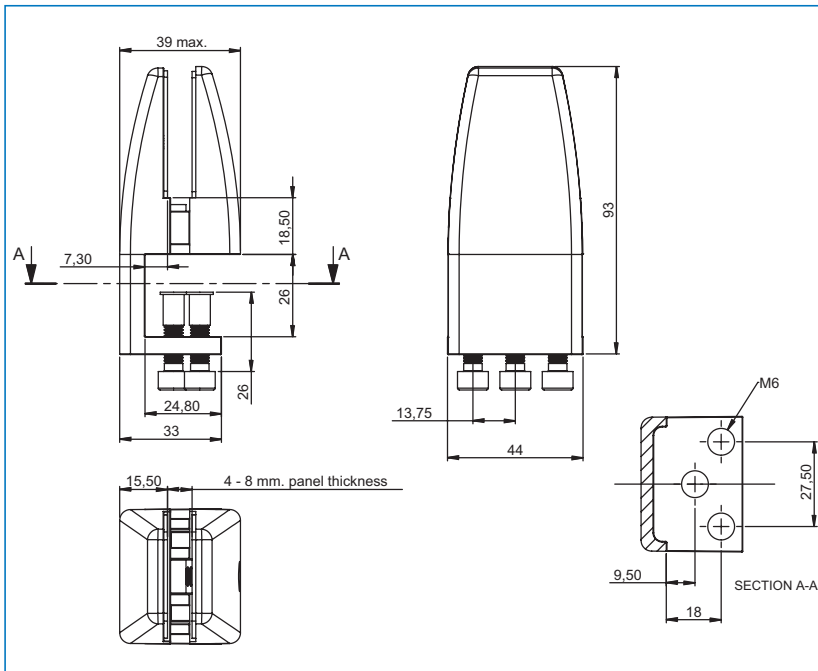
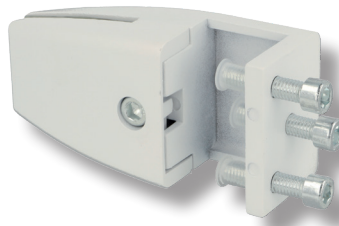
PARTITION PANEL CLAMP "CLAMP ON"

Material: Aluminum

Panel thickness: 4 – 8 mm

White painted # 22.10.805
 Black painted # 22.10.806
 Silver painted # 22.10.807

Incl.: 3 Pcs of Bolts M6x25 mm & 3 Pcs. of Plastic Caps



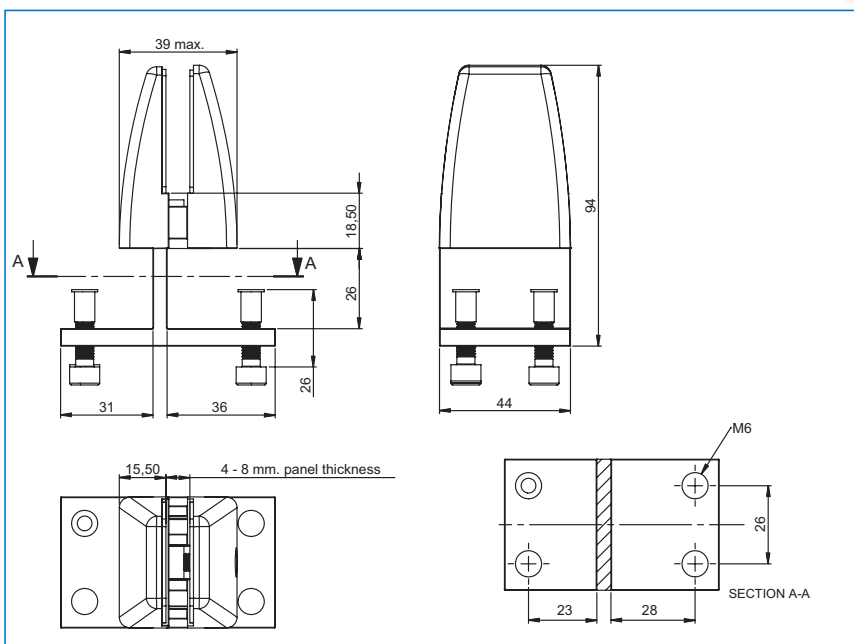
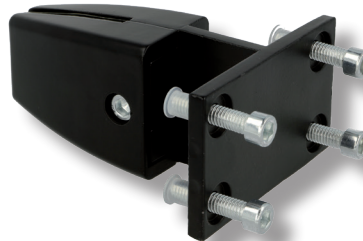
PARTITION PANEL CLAMP "BACK TO BACK"

Material: Aluminum

Panel thickness: 4 – 8 mm

White painted # 22.10.810
 Black painted # 22.10.811
 Silver painted # 22.10.812

Incl.: 4 Pcs of Bolts M6x25 mm & 4 Pcs. of Plastic Caps



PIVOT HINGE "HODOR" F/8-12 MM DOORS

- high quality furniture fittings



Application:
 Pivot hinge for inset doors. Top & bottom hinge.
 With catch function. Drilling required.
 Angle adjustment by use of sloping gaskets.
 160 degrees opening.

Cabinet panel thickness from 10mm.

Material: Aluminum – chrome pl. or black matt
 Size: 45 x 85 x 43 mm (W/L/H)
 Door thickness: 8 – 12 mm
 Drilling: Ø 12 mm
 Max load capacity: 38 kg per door.
 Max. door size: 600 x 2000 x 12mm (W/H/T)

1 pair = 1 top + 1 bottom hinge

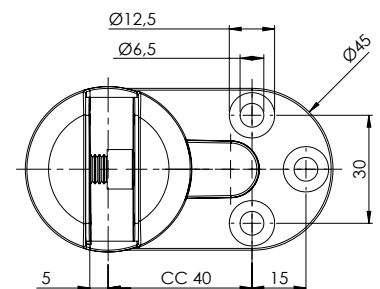
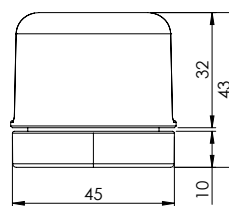
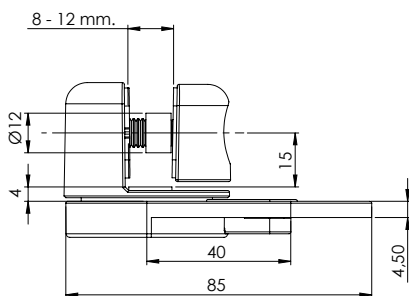
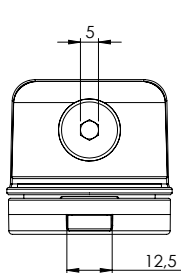
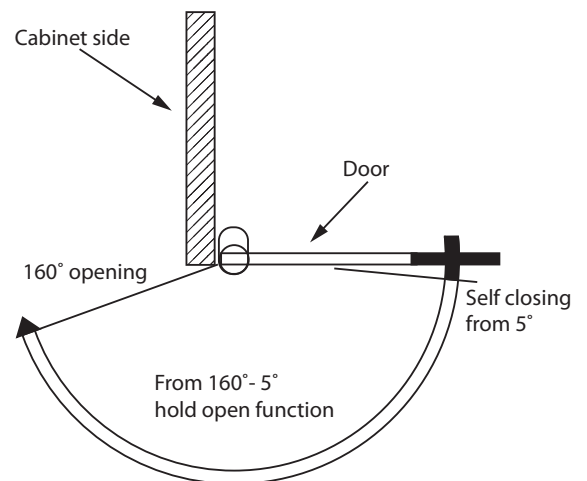
Item No.:

Chrome plated # 15.06.080
 Black matt # 15.06.082

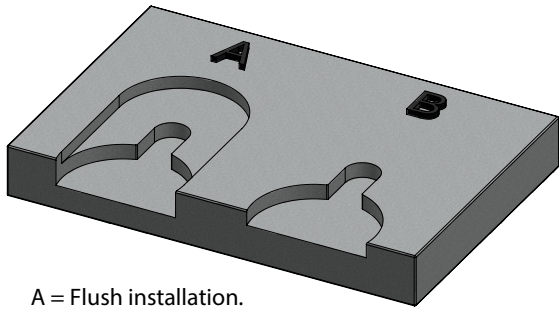
Incl. 6 CSK steel screws Ø6 x 18 mm, 4 transparent PVC gaskets in 1mm & 2 black PA sloping gaskets for angle adjustment.



TÜV Approved
 EN 15570:2008
 80.000 Cycles

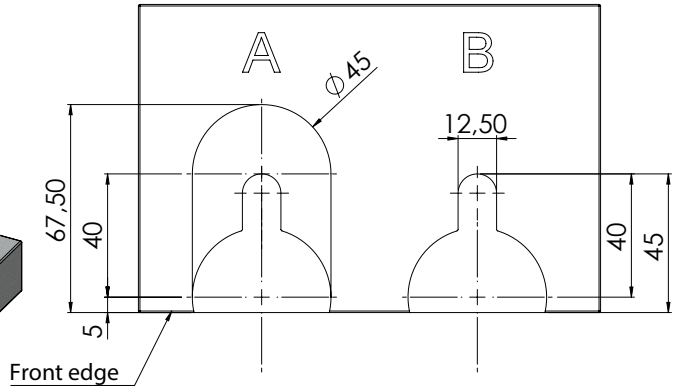
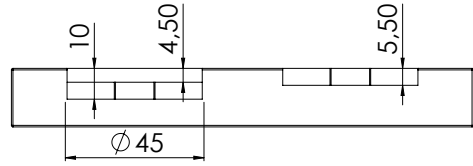
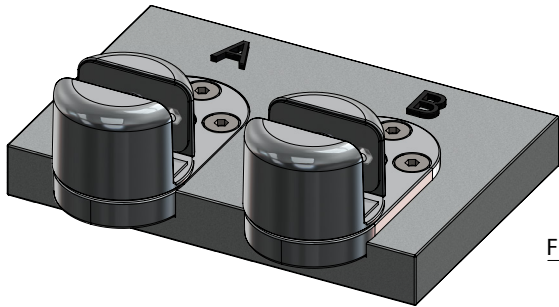


PIVOT HINGE "HODOR" INSTALLATION

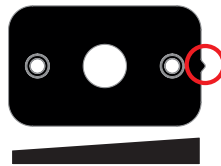
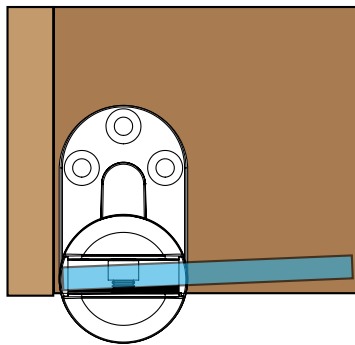
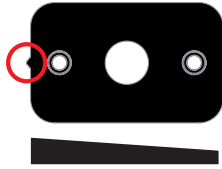
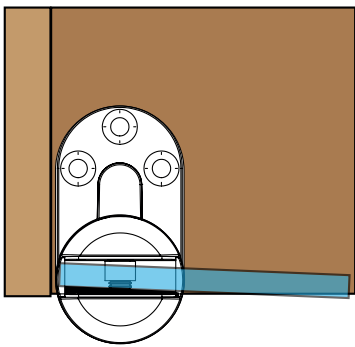


A = Flush installation.

B = Elevated installation 4,5mm.



Angle adjustment by use of sloping gaskets.



CABINET HINGE "EASY"

- high quality furniture fittings

SISO DENMARK

Application

Zamak cabinet hinge w/stainless steel axle.
180° opening. For inset doors. With adjustable
catch function & visible axle. Easy installation.
No milling/cutting required.

Material

Zamak - chrome plated or black matt

Size

50 x 56,5 mm

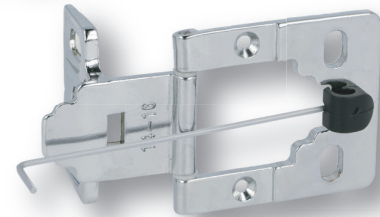
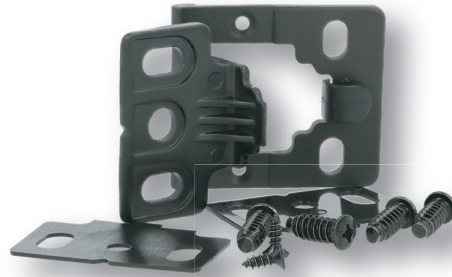
Door thickness

8-10 or 14-16 mm

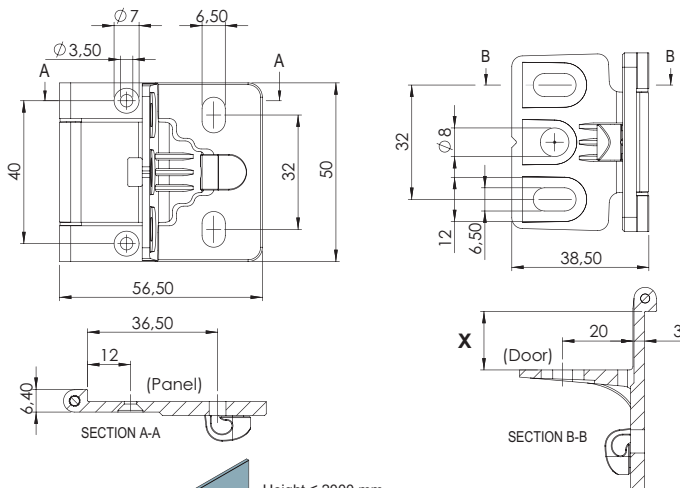
Item No.:

8-10 mm - Chrome plated # 15.04.105
8-10 mm - Black matt # 15.04.106
14-16 mm - Chrome plated # 15.04.110
14-16 mm - Black matt # 15.04.111

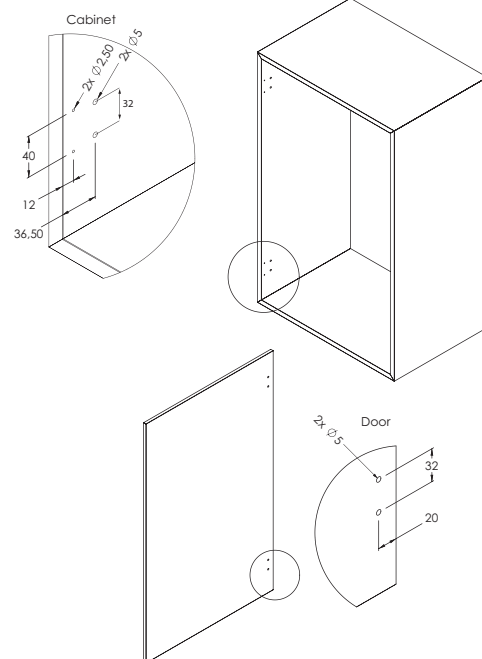
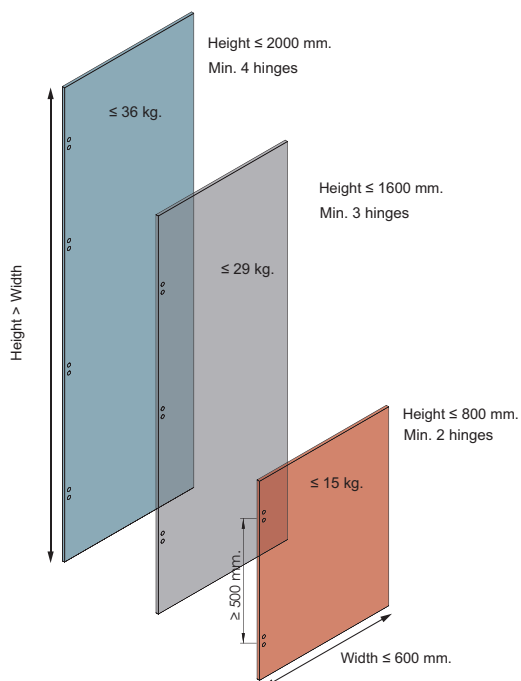
Incl. 4 Euro screws $\varnothing 6,3 \times 10$ mm + 2 CSK steel
screws $3,5 \times 10$ mm
& 2 black or white PA6 gaskets - 1 mm



Catch adjustment



Item No.	X: Door thickness
15.04.105/15.04.106	8 - 10 mm
15.04.110/15.04.111	14 - 16 mm



FRONT COVER "EASY" F/GLASS OR WOOD

Application

Front cover f/glass or wooden doors.
Drilling required

Material

Zamak - chrome plated or black matt

Size

55 x 30 mm

Drilling: Ø10 mm (wood) & Ø14mm (glass)

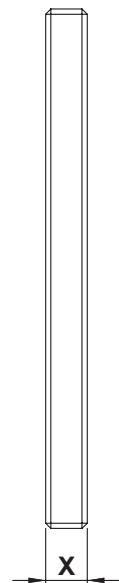
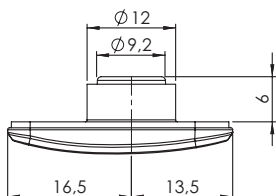
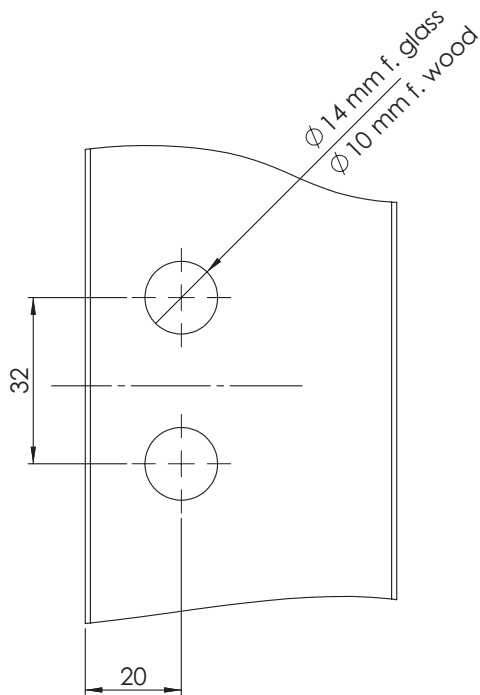
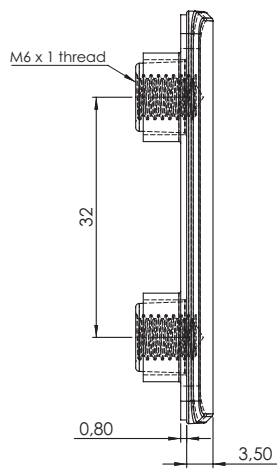
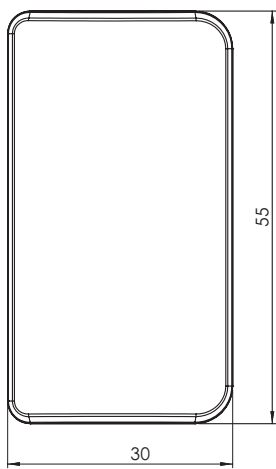
Door thickness: 8-10 or 14-16 mm

Item No.:

Chrome plated # 15.04.125

Black matt # 15.04.126

Incl. SS 2 PZ screws M6 x 10 mm
+ 2 PZ screws M6 x 10 x 16 mm
& 1 white or black PA6 gasket - 0,8 mm



Door thickness	X:
15.04.105/15.04.106	8 - 10 mm
15.04.110/15.04.111	14 - 16 mm

FIXING CAP "EASY" F/GLASS OR WOOD

- high quality furniture fittings

SISO
DENMARK

Application

Fixing cap f/glass or wooden doors
Drilling required

Material

Stainless steel SS-304 - brushed or black matt

Size

Ø20 x 9 mm, M6 thread

Drilling

Ø10 mm (wood) & Ø14 mm (glass)

Door thickness

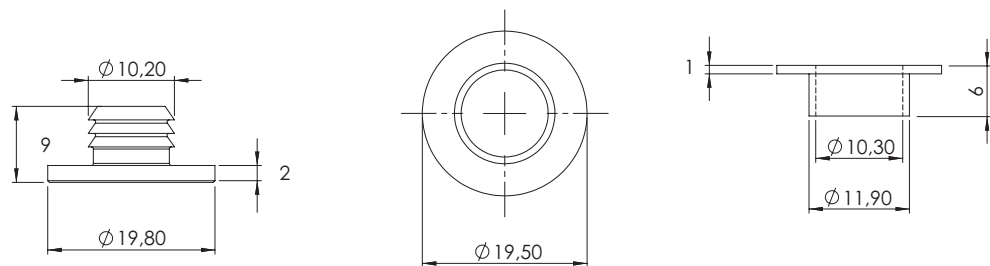
8-10 or 14-16 mm

Item No.:

Brushed # 15.04.120

Black matt # 15.04.121

Incl. plastic washer, white or black POM
Fixing screws to be bought separately



ACCESSORIES F/CABINET HINGE "EASY"

Fixing screw set, SS-304 black, 2 x M6 x 10 mm
& 2 x M6 x 16 mm

Item No.: # 15.04.122

Gasket set, 3 pcs, Black PA -To be used according
to design

Item No.: # 15.04.123



GLASS DOOR HINGES "MINI" WITH FRONT COVER

AUTOMATIC GLASS DOOR HINGE WITH DOUBLE SPRING ACTION

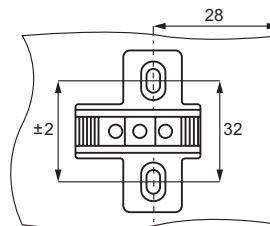
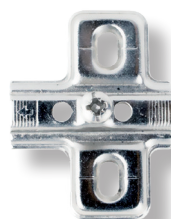
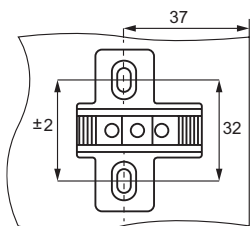
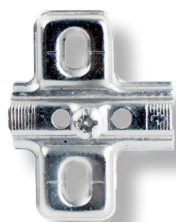
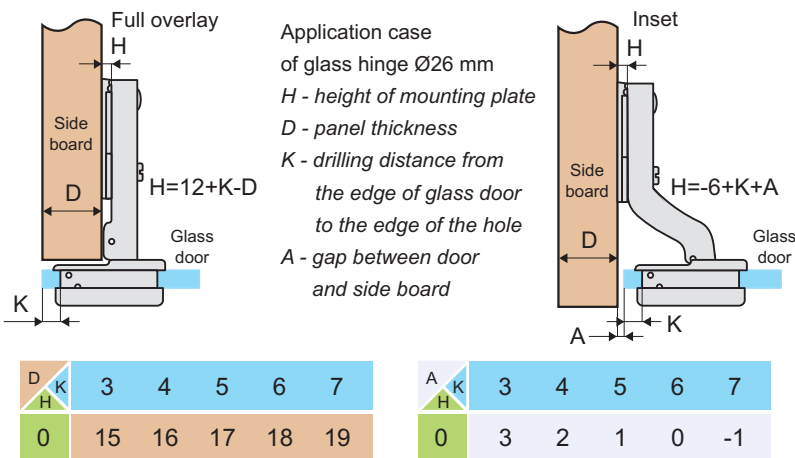
Opening angle: 92°
 Glass door drilling:
 26 mm for glass thickness 4 to 6 mm
 Supplied complete with wing mounting plate.
 Steel nickel pl. 3 mm distance for chipboard screw attachment
 housing: plastic black
 Hingearm keyhole type, steel nickel pl.

TYPE A = FULL OVERLAY DOORS

0 mm cranking # 15.01.700

TYPE C = INSET DOORS

17 mm cranking # 15.01.710



COVER CAPS FOR HINGE "MINI"

FRONT COVER PLASTIC

Round cover, chrome # 15.02.720

Round cover, gold # 15.02.721

Round cover, black # 15.02.722

Round cover, alu # 15.02.723

Round cover, matt NPL # 15.02.724

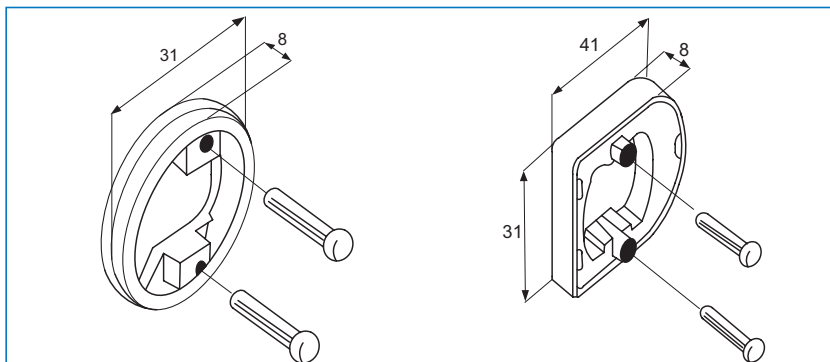
Oval cover, chrome # 15.02.730

Oval cover, gold # 15.02.731

Oval cover, black # 15.02.732

Oval cover, alu # 15.02.733

Oval cover, matt NPL # 15.02.734



GLASS DOOR HINGE "SMART-92" WITH FRONT COVER

- high quality furniture fittings



GLASS DOOR HINGE "SMART-92"

Application

For inset doors. Ideal for furniture where only a very narrow wooden side-wall/pole is available. Direct fixing to side-wall/pole without any mounting plate

Mounting

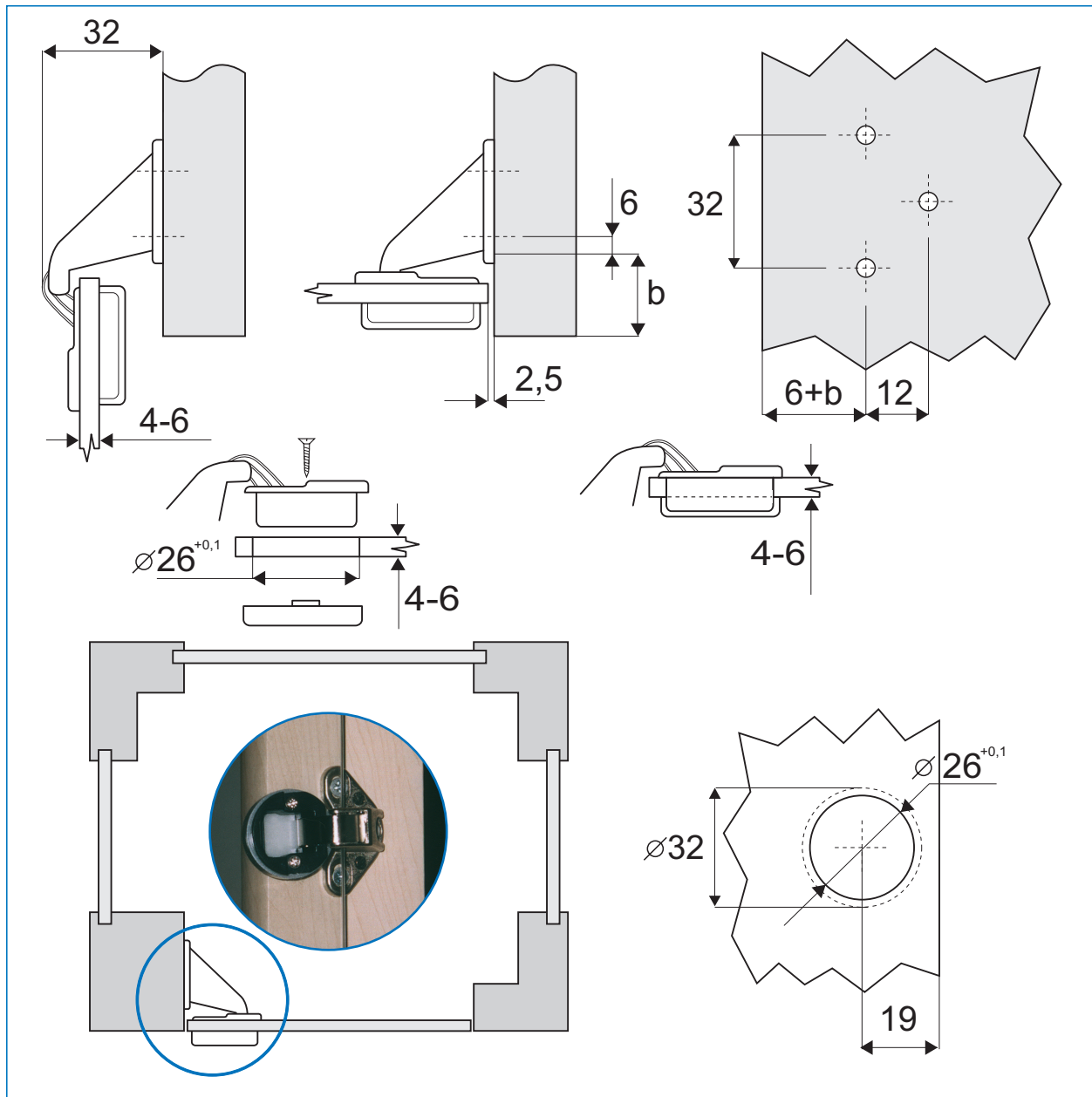
Glass door drilling: $\varnothing 26$ mm
Glass thickness: 4-6 mm
C.C. 32 mm

Material

Hinge arm: Zamak, nickel plated
Hinge cup: Black plastic
Item No. # 15.01.000
Plastic cover cap $\varnothing 32$ mm

Finish

Alu finish # 15.01.050



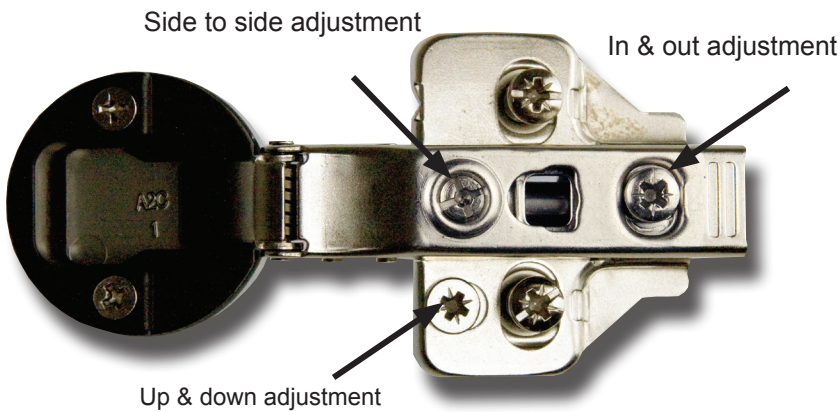
SOFT CLOSE MINI GLASS DOOR HINGE Ø 26 MM - 95°

**SOFT CLOSE
CLIP-ON
FI 4-6 MM GLASS
Ø 26 MM**

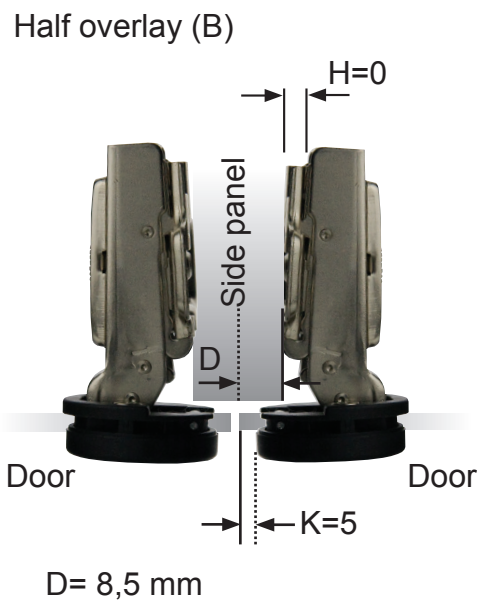


Standard model

Hinge w/mounting plate f/easy up & down adjustment (optional)



- H = height of mounting plate
- D = required door overlay
- K = drilling distance from the edge of door to the edge of the cup hole
- A = gap between door and side panel
- L = gap between door and carcass



SOFT CLOSE MINI GLASS DOOR HINGE Ø 26 MM - 95°

- high quality furniture fittings


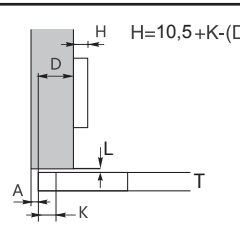

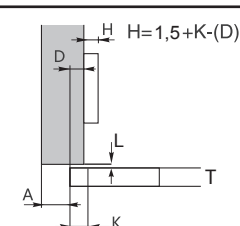

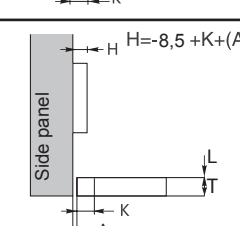

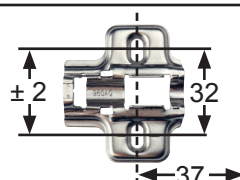

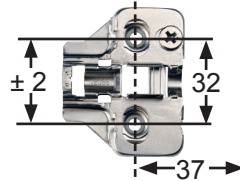






Cup drawing



Opening angle: 95°
 Depth of hinge cup: 10,6 mm
 Diameter of hinge cup: 26 mm
 Possible drilling distances on the glass door (K): 4-7 mm
 Glass door thickness: 4-6 mm



Steel - Nickel Plated		Item No.	D: Overlay calculations	A: Gap between door and side panel	L: Gap between door and carcass																																							
Full overlay (A) 	 $H=10,5+K-(D)$	15.01.720 Incl. SISO name plate + mounting plate H = 0	<table border="1"> <tr><th>D \ K</th><th>4</th><th>5</th><th>6</th><th>7</th></tr> <tr><th>0</th><td>14,5</td><td>15,5</td><td>16,5</td><td>17,5</td></tr> <tr><th>2</th><td>12,5</td><td>13,5</td><td>14,5</td><td>15,5</td></tr> <tr><th>4</th><td>10,5</td><td>11,5</td><td>12,5</td><td>13,5</td></tr> </table>	D \ K	4	5	6	7	0	14,5	15,5	16,5	17,5	2	12,5	13,5	14,5	15,5	4	10,5	11,5	12,5	13,5	<table border="1"> <tr><th>L \ K</th><th>4</th><th>5</th><th>6</th><th>7</th></tr> <tr><th>4</th><td>0</td><td>0</td><td>1</td><td>2</td></tr> <tr><th>5</th><td>0</td><td>0,1</td><td>1,1</td><td>2,1</td></tr> <tr><th>6</th><td>0</td><td>0,2</td><td>1,2</td><td>2,2</td></tr> </table>	L \ K	4	5	6	7	4	0	0	1	2	5	0	0,1	1,1	2,1	6	0	0,2	1,2	2,2
D \ K	4	5	6	7																																								
0	14,5	15,5	16,5	17,5																																								
2	12,5	13,5	14,5	15,5																																								
4	10,5	11,5	12,5	13,5																																								
L \ K	4	5	6	7																																								
4	0	0	1	2																																								
5	0	0,1	1,1	2,1																																								
6	0	0,2	1,2	2,2																																								
Half overlay (B) 	 $H=1,5+K-(D)$	15.01.721 Incl. SISO name plate + mounting plate H = 0	<table border="1"> <tr><th>D \ K</th><th>4</th><th>5</th><th>6</th><th>7</th></tr> <tr><th>0</th><td>5,5</td><td>6,5</td><td>7,5</td><td>8,5</td></tr> <tr><th>2</th><td>3,5</td><td>4,5</td><td>5,5</td><td>6,5</td></tr> <tr><th>4</th><td>1,5</td><td>2,5</td><td>3,5</td><td>4,5</td></tr> </table>	D \ K	4	5	6	7	0	5,5	6,5	7,5	8,5	2	3,5	4,5	5,5	6,5	4	1,5	2,5	3,5	4,5	<table border="1"> <tr><th>L \ K</th><th>4</th><th>5</th><th>6</th><th>7</th></tr> <tr><th>4</th><td>0</td><td>0</td><td>1</td><td>2</td></tr> <tr><th>5</th><td>0</td><td>0,1</td><td>1,1</td><td>2,1</td></tr> <tr><th>6</th><td>0</td><td>0,2</td><td>1,2</td><td>2,2</td></tr> </table>	L \ K	4	5	6	7	4	0	0	1	2	5	0	0,1	1,1	2,1	6	0	0,2	1,2	2,2
D \ K	4	5	6	7																																								
0	5,5	6,5	7,5	8,5																																								
2	3,5	4,5	5,5	6,5																																								
4	1,5	2,5	3,5	4,5																																								
L \ K	4	5	6	7																																								
4	0	0	1	2																																								
5	0	0,1	1,1	2,1																																								
6	0	0,2	1,2	2,2																																								
Inset (C) 	 $H=-8,5+K+(A)$	15.01.722 Incl. SISO name plate + mounting plate H = 0	<table border="1"> <tr><th>A \ K</th><th>4</th><th>5</th><th>6</th><th>7</th></tr> <tr><th>0</th><td>4,5</td><td>5,5</td><td>6,5</td><td>7,5</td></tr> <tr><th>2</th><td>6,5</td><td>7,5</td><td>8,5</td><td>9,5</td></tr> </table>	A \ K	4	5	6	7	0	4,5	5,5	6,5	7,5	2	6,5	7,5	8,5	9,5	<table border="1"> <tr><th>L \ K</th><th>4</th><th>5</th><th>6</th><th>7</th></tr> <tr><th>4</th><td>0</td><td>0</td><td>1</td><td>2</td></tr> <tr><th>5</th><td>0</td><td>0,1</td><td>1,1</td><td>2,1</td></tr> <tr><th>6</th><td>0</td><td>0,2</td><td>1,2</td><td>2,2</td></tr> </table>	L \ K	4	5	6	7	4	0	0	1	2	5	0	0,1	1,1	2,1	6	0	0,2	1,2	2,2					
A \ K	4	5	6	7																																								
0	4,5	5,5	6,5	7,5																																								
2	6,5	7,5	8,5	9,5																																								
L \ K	4	5	6	7																																								
4	0	0	1	2																																								
5	0	0,1	1,1	2,1																																								
6	0	0,2	1,2	2,2																																								
		H = 0 f/chipboard screws Clip-on	Delivered as standard mounting plate with all hinges. Chipboard screws to be ordered separately.																																									
		15.03.724-0 H = 0 f/euro screws Clip-on	To be ordered separately if easy up & down adjustment is wanted. Pre-mounted euro screws included.																																									
		15.01.830 , ABS Chrome plated cover			15.01.820 , ABS Chrome plated cover																																							
		15.01.831 , ABS Alu plated cover			15.01.821 , ABS Alu plated cover																																							

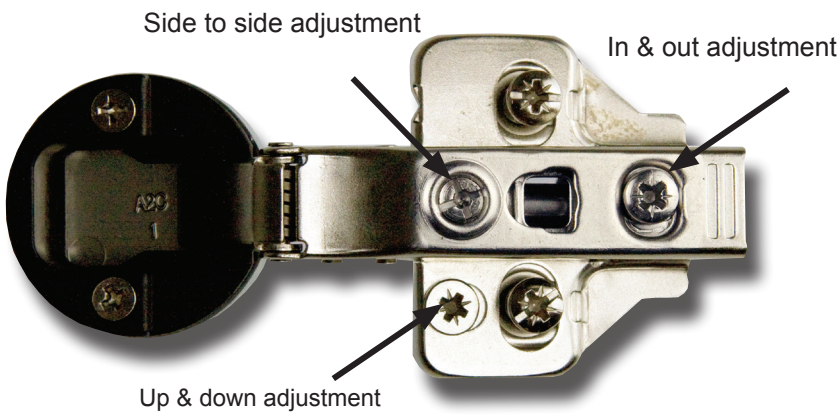
SOFT CLOSE MAXI GLASS DOOR HINGE Ø 35 MM - 100°



Standard model

**SOFT CLOSE
CLIP-ON
FI 4-6 MM GLASS
Ø 35 MM**

Hinge w/mounting plate f/easy up & down adjustment (optional)

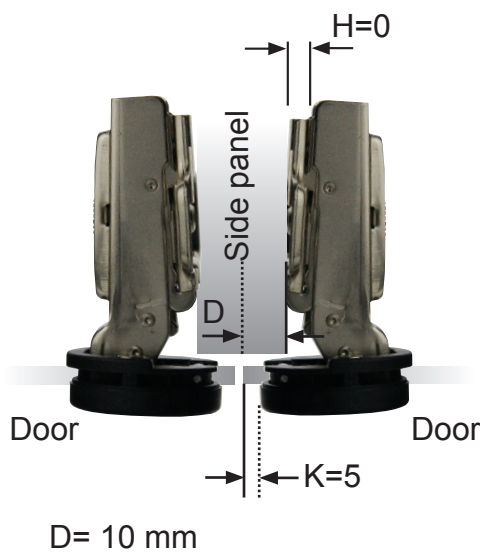


- H =** height of mounting plate
- D =** required door overlay
- K =** drilling distance from the edge of door to the edge of the cup hole
- A =** gap between door and side panel

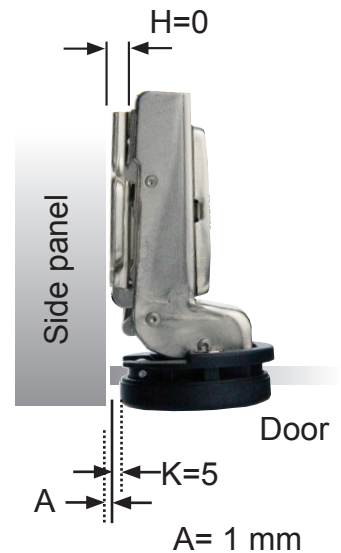
Full overlay (A)



Half overlay (B)



Inset (C)

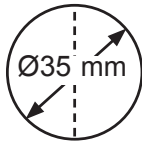


SOFT CLOSE MAXI GLASS DOOR HINGE Ø 35 MM -100°

- high quality furniture fittings


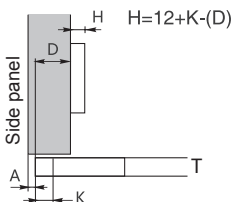

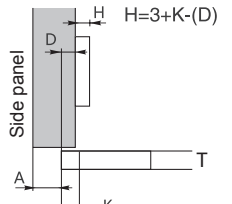

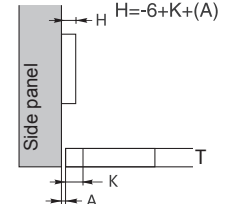

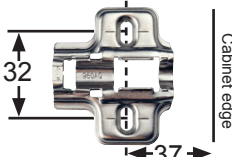

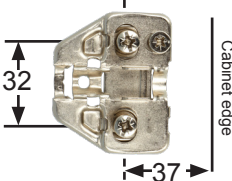






Cup drawing



Opening angle: 100°
 Depth of hinge cup: 11,3 mm
 Diameter of hinge cup: 35 mm
 Possible drilling distances on the glass door (K): 4-6 mm
 Glass door thickness: 4-6 mm



Steel - Nickel Plated		Item No.	D: Overlay calculations	A: Gap between door and sidepanel																
Full overlay (A) 		15.01.715 Incl. SISO name plate + mounting plate H = 0	<table border="1"> <tr> <th>D \ K</th> <th>4</th> <th>5</th> <th>6</th> </tr> <tr> <th>H</th> <td>0</td> <td>16</td> <td>17</td> </tr> <tr> <th>2</th> <td>14</td> <td>15</td> <td>16</td> </tr> <tr> <th>4</th> <td>10</td> <td>11</td> <td>12</td> </tr> </table>	D \ K	4	5	6	H	0	16	17	2	14	15	16	4	10	11	12	
D \ K	4	5	6																	
H	0	16	17																	
2	14	15	16																	
4	10	11	12																	
Half overlay (B) 		15.01.716 Incl. SISO name plate + mounting plate H = 0	<table border="1"> <tr> <th>D \ K</th> <th>4</th> <th>5</th> <th>6</th> </tr> <tr> <th>H</th> <td>0</td> <td>7</td> <td>8</td> </tr> <tr> <th>2</th> <td>5</td> <td>6</td> <td>7</td> </tr> <tr> <th>4</th> <td>3</td> <td>4</td> <td>5</td> </tr> </table>	D \ K	4	5	6	H	0	7	8	2	5	6	7	4	3	4	5	
D \ K	4	5	6																	
H	0	7	8																	
2	5	6	7																	
4	3	4	5																	
Inset (C) 		15.01.717 Incl. SISO name plate + mounting plate H = 0	<table border="1"> <tr> <th>A \ K</th> <th>4</th> <th>5</th> <th>6</th> </tr> <tr> <th>H</th> <td>0</td> <td>2</td> <td>3</td> </tr> <tr> <th>2</th> <td>4</td> <td>5</td> <td>6</td> </tr> <tr> <th>4</th> <td>6</td> <td>7</td> <td>8</td> </tr> </table>	A \ K	4	5	6	H	0	2	3	2	4	5	6	4	6	7	8	
A \ K	4	5	6																	
H	0	2	3																	
2	4	5	6																	
4	6	7	8																	
		H = 0 f/chipboard screws Clip-on	Delivered as standard mounting plate with all hinges. Chipboard screws to be ordered separately.																	
		15.03.724-0 H = 0 f/euro screws Clip-on	To be ordered separately if easy up & down adjustment is wanted. Pre-mounted euro screws included.																	
																				
15.01.810 , ABS Chrome plated cover	15.01.811 , ABS Alu plated cover	15.01.800 , ABS Chrome plated cover	15.01.801 , ABS Alu plated cover																	

GLASS DOOR HINGE "NICE"

MODEL "NICE"

Finish

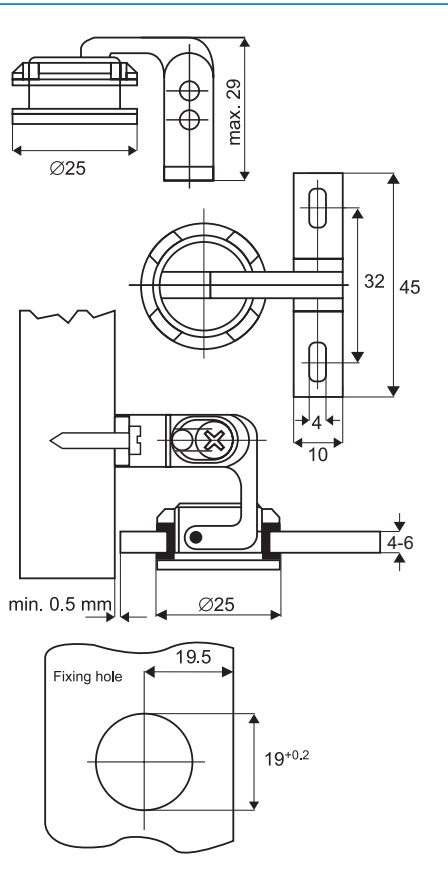
Chrome plated w/catch # 15.06.450

Material

Brass

Mounting

Inset doors 4-6 mm thickness
without catch
Opening angle: 105°
universal top or bottom
height can be adjusted.
Drill size 19 mm diam.



GLASS DOOR HINGE "GRACE" SS304 FOR WOOD/GLASS

MODEL "GRACE"

Mounting: Glass: \varnothing 10 mm boring holes
Wood: 7 x 4 mm screw holes

Material: Stainless steel 304 - polished

Hinge size: 52 x 31 x 13 mm (H/W/D)

Glass thickness: 5 - 8,76 mm

Max door size: 650 x 900 mm

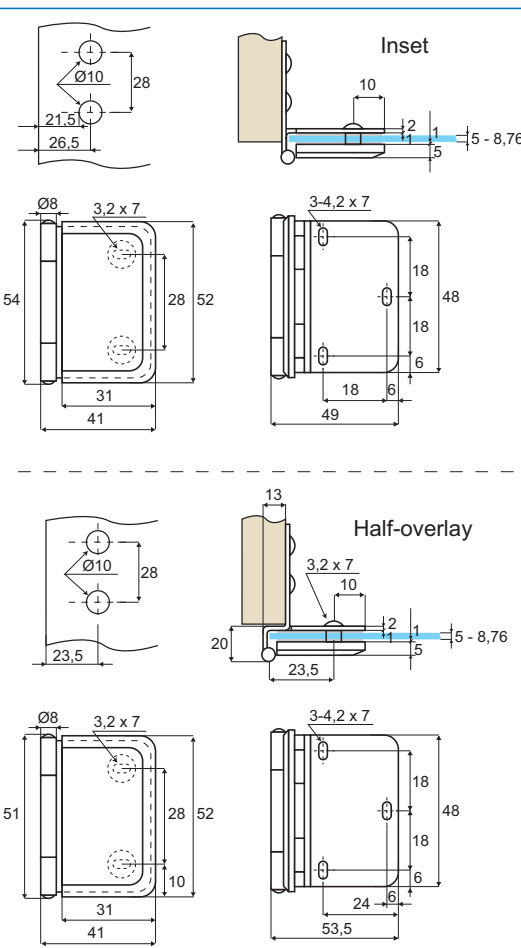
Max door weight: 6 kg per hinge

Function: Inset or half-overlay
Opening 180°

Inset: # 15.06.470

Half-overlay: # 15.06.471

Each hinge is supplied with 2 white cushions 1 mm thickness



GLASS DOOR HINGE "SOFIA" GLASS TO GLASS 180°

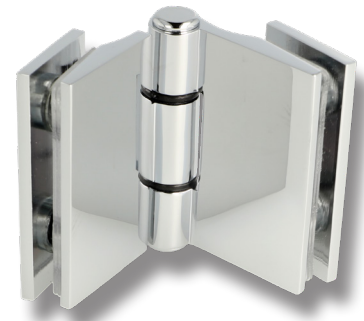
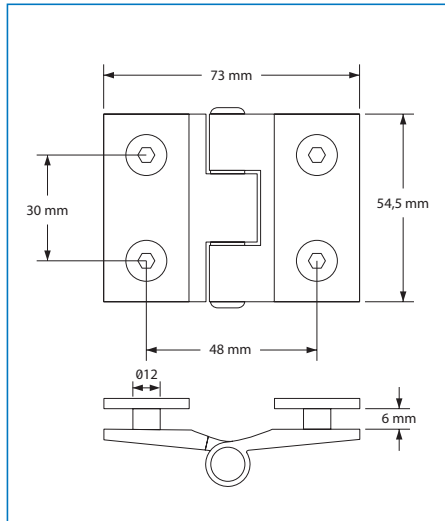
Application:
Suitable for glass door
Drilling/cutting required

Opening: 180°
Glass thickness: 6 mm
Material: Brass

1 hinge consists of:
1 hinge 54,5 x 73 mm
4 transparent cushions 1 mm thickness
4 transparent tubes $\varnothing 12$ mm
1 L-shaped hex key 4 mm

Finish:
Chrome plated # 15.23.050

Packing:
20 pcs per carton



GLASS DOOR HINGE "ROME" GLASS TO GLASS 180°

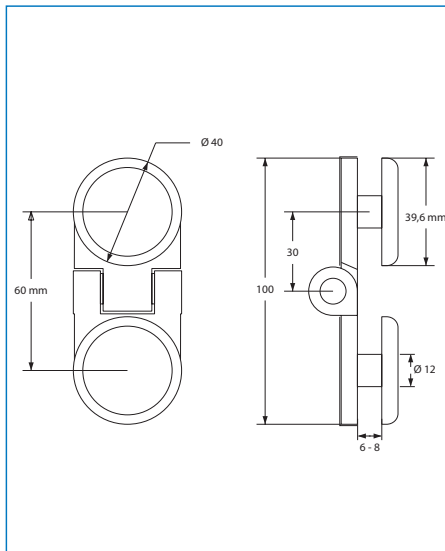
Application:
Suitable for glass door
Drilling/cutting required

Opening: 180°
Glass thickness: 6 - 8 mm
Material: Brass

1 hinge consists of:
1 hinge 100 x 40 mm
4 transparent cushions 1 mm thickness
2 transparent tubes $\varnothing 12$ mm
1 L-shaped hex key 4 mm

Finish:
Chrome plated # 15.23.055

Packing:
20 pcs per carton



GLASS CLAMP "ROME" WALL TO GLASS 90°

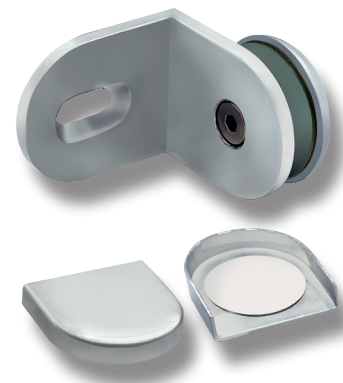
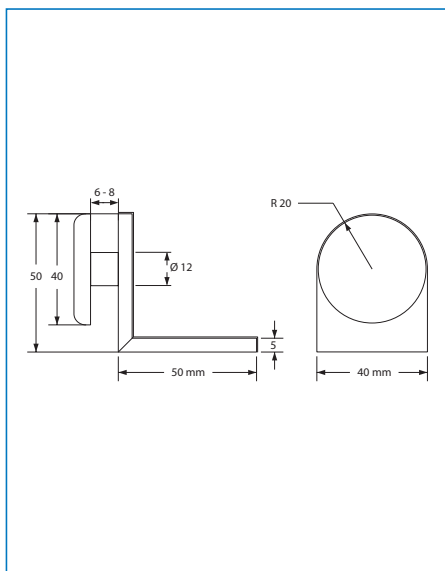
Application:
Suitable for glass door
Drilling/cutting required

Angle: 90°
Glass thickness: 6 - 8 mm
Material: Brass

1 clamp consists of:
1 clamp 50 x 50 mm
2 transparent cushions 1 mm thickness
1 transparent tubes $\varnothing 12$ mm
2 cover caps
1 L-shaped hex key 4 mm
1 wall plug
1 wall mounting screw

Finish:
Chrome plated # 15.23.770

Packing:
20 pcs per carton



GLASS DOOR HINGE "BOSCH" GLASS/GLASS

Model "BOSCH"

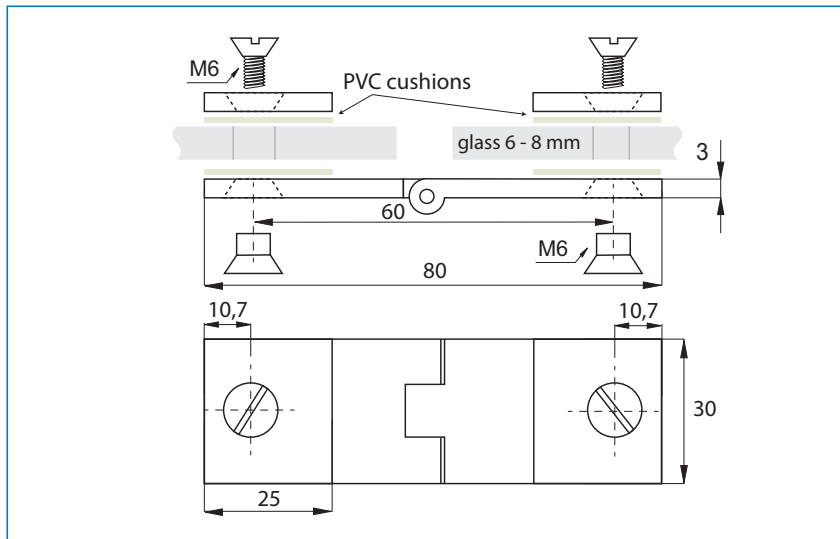
Material
3 mm brass

Hinge size: 30 x 80 mm (H/W)

Function
Inset or overlay doors

Glass thickness: 6 - 8 mm
Opening angle: 270°
Drilling: ø11 mm

Finish
Chrome plated # 15.06.500



GLASS DOOR HINGE "BOSCH" WALL/GLASS

MODEL "BOSCH" F/WALL TO GLASS

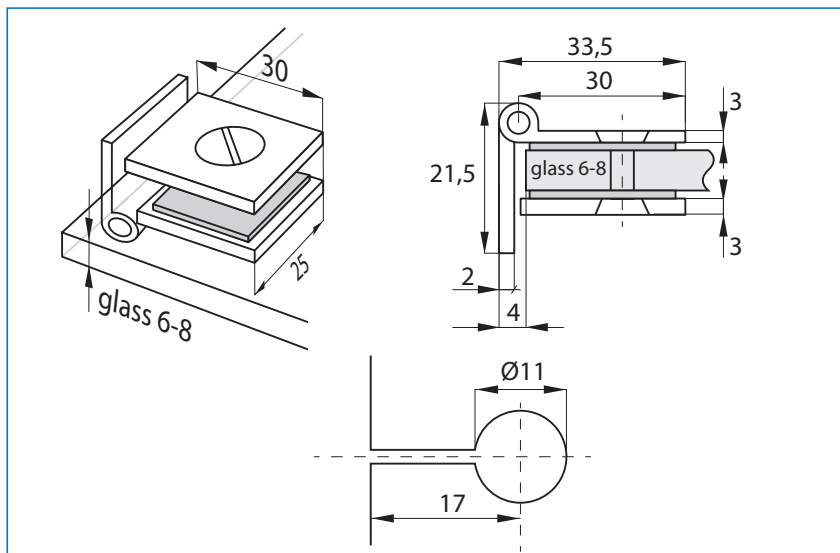
Material
Brass, Chrome plated

Size
Hinge: 25 x 30 mm (H/W)
Mounting plate: 25 x 12 mm (H/W)

Function
Inset doors

Glass thickness: 6 - 8 mm
Drilling: ø11 mm

Finish
Chrome plated # 15.06.520



GLASS DOOR HINGE "ELEGANT"

- high quality furniture fittings



MODEL "ELEGANT"

Material

Natural brass

Finish

Brushed natural brass # 15.06.460

Brushed nickel # 15.06.461

Mounting

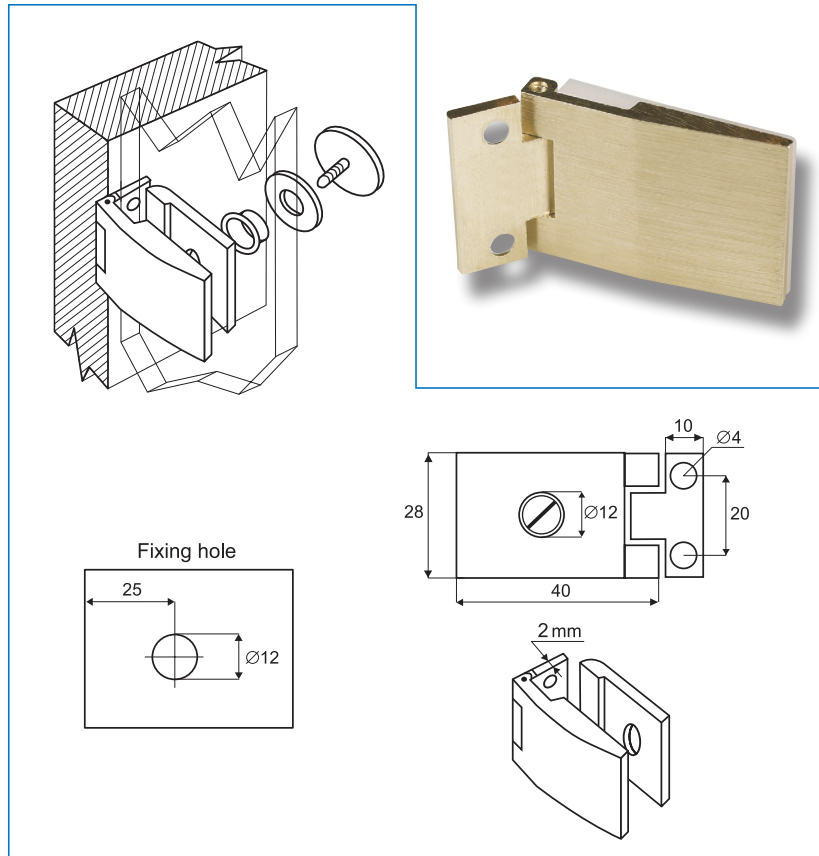
Inset doors 6 mm thickness

Opening 270°

Drill size 12 mm

Packing

40 pcs



GLASS DOOR HINGE "JONES"

MODEL "JONES"

Material

Brass, Chrome plated

Overlay doors 4-8 mm glass

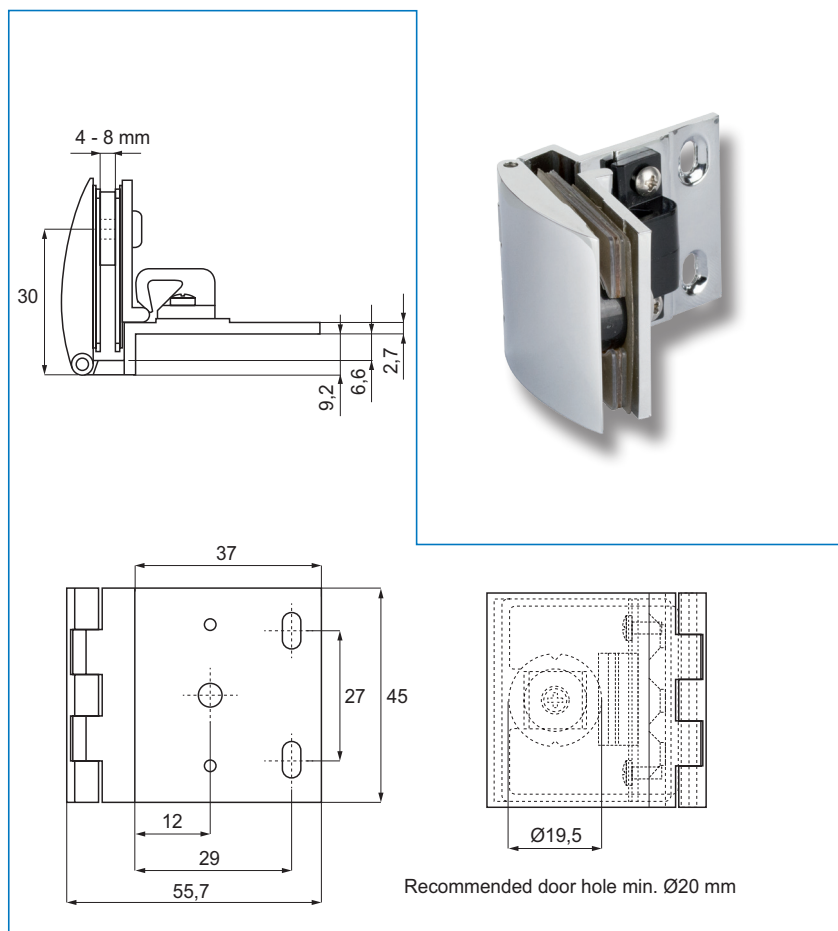
Drill size $\varnothing 19$ mm

Opening 170°

Max door weight: 15 kg per hinge

Item No.

15.06.472



SOFT CLOSE MIRROR HINGE - FOR UV-GLUE

Features

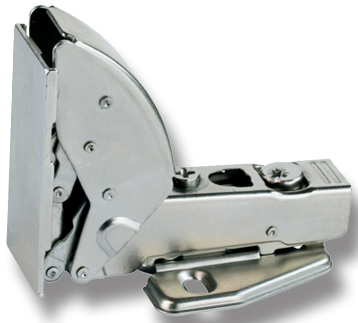
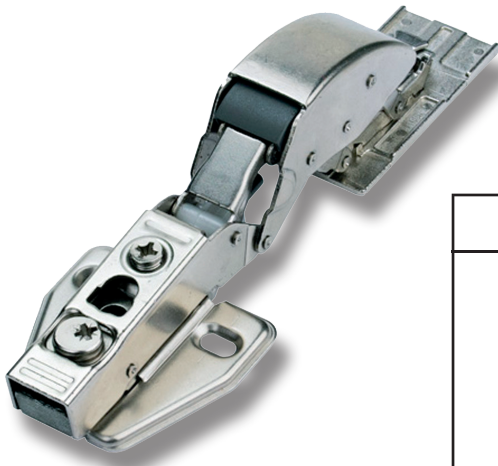
Opening angle: 125°
 F/UV-glue
 Clip-On
 F/3 - 6 mm glass
 W/Soft close pump
 Universal. Can be used for both inset, half-overlay & overlay doors

Finish

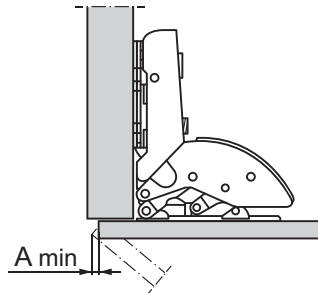
Nickel plated

Item No.

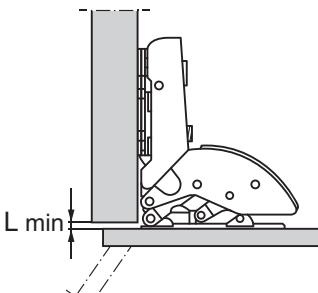
15.03.750



Space needed to open the door

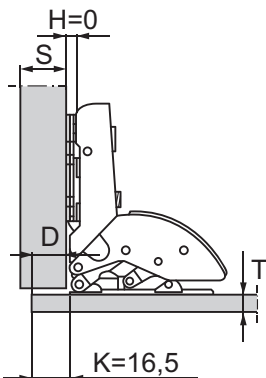


A \ T	3	4	5	6
K				
1,5	13,6	14,4	15,2	16,1
3,0	11,2	12,1	12,9	13,8
4,5	8,9	9,8	10,7	11,6
6	6,8	7,7	8,6	9,5
7,5	4,2	5,0	5,8	6,6
8	2,8	3,8	4,8	5,8
-	-	-	-	-
16,5	0	0	0,3	0,8



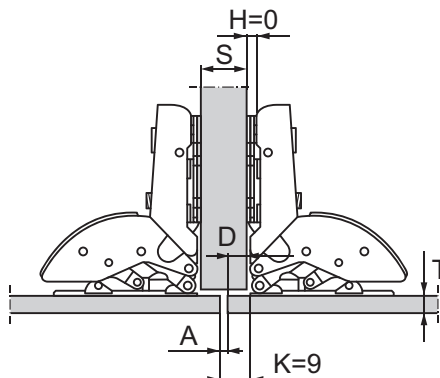
L \ T	3	4	5	6
K				
1,5	0	0	0	0
3,0	0	0	0	0
3,5	0	0	0	0
-	-	-	-	-
16,5	0	0	0	0

Full overlay (A)



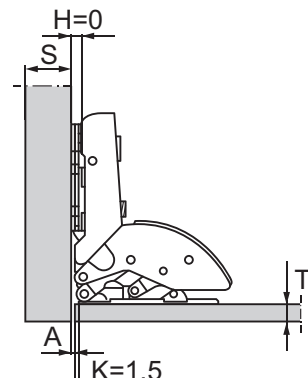
D= 14 mm

Half overlay (B)



D= 6,5 mm

Inset (C)

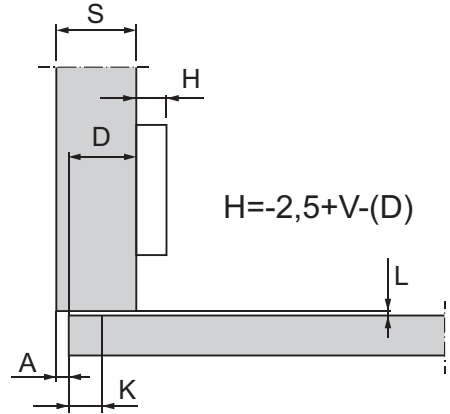


A= 2,5 mm

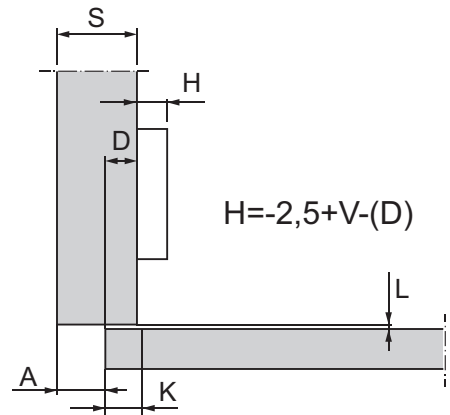
SOFT CLOSE MIRROR HINGE - FOR UV-GLUE

- high quality furniture fittings

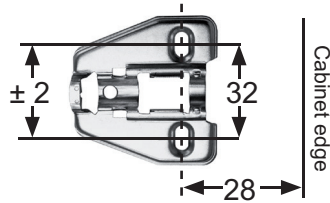
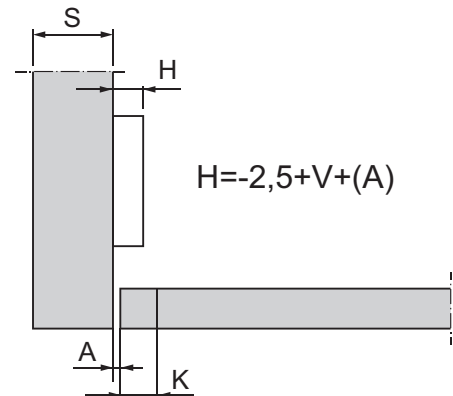
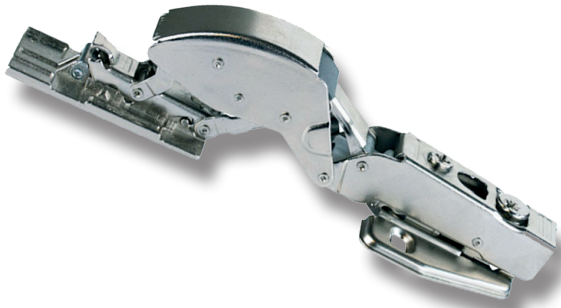
Full overlay (A) - Item No.: # 15.03.750



Half overlay (B) - Item No.: # 15.03.750

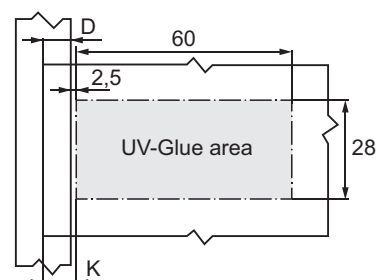
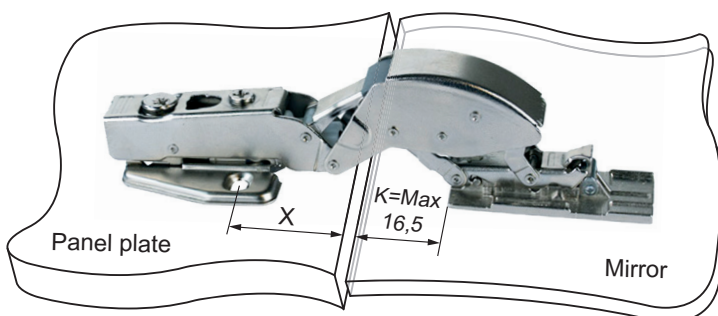


Inset (C) - Item No.: # 15.03.750



H = 0
f/chipboard
screws
Clip-on

Delivered as standard mounting plate with all hinges. Chipboard screws to be ordered separately.



LIFT-OFF BUTT HINGE SS304 FOR UV-GLUE

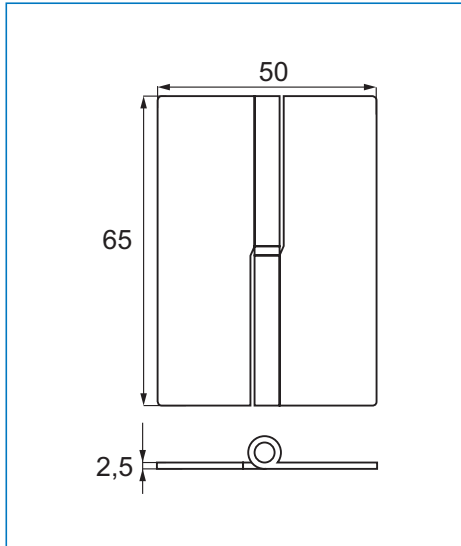
Mounting: By UV-glue B 682-0 from Bohle.
UV-lamp is needed

Material: 2,5 mm stainless steel 304 - polished

Hinge size: 65 X 50 mm (H/W)

Function: Inset doors
Max door width 500 mm
Load capacity: 7,5 KG per pair
Opening angle 270°
Glass thickness: 4-8 mm

Right hand: # 15.13.590
Left hand: # 15.13.600



Right hand

BUTT HINGE SS304 FOR UV-GLUE

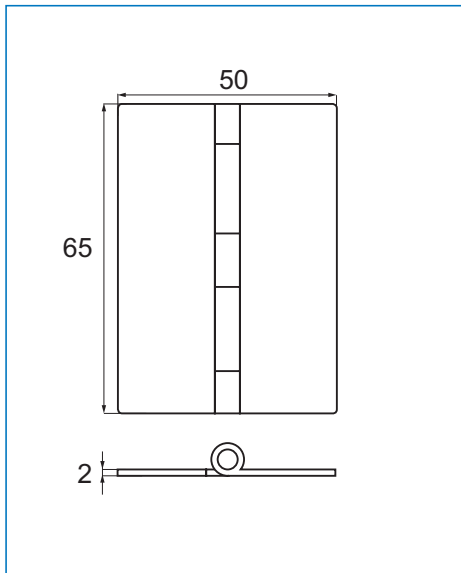
Mounting: By UV-glue B 682-0 from Bohle.
UV-lamp is needed

Material: 2 mm stainless steel 304 - polished

Hinge size: 65 x 50 mm (H/W)

Function: Inset doors
Max door width 500 mm
Load capacity: 7,5 KG per pair
Opening angle 270°
Glass thickness: 4-8 mm

Item No: # 15.13.105



GLASS DOOR HINGE BRASS FOR UV-GLUE

Mounting: By UV-glue B 682-0 from Bohle
UV-lamp is needed

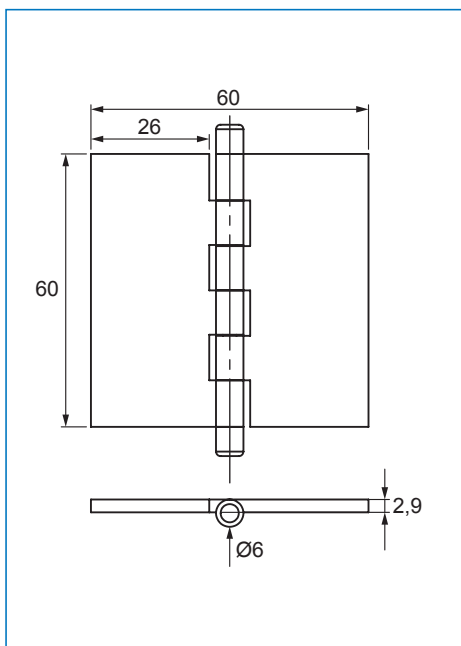
Material: 2,9 mm Brass - Chrome Plated

Hinge size: 60 x 60 mm (H/W)

Function: Inset doors
Max door width 500 mm

Load Capacity: 7,5 Kg per pair
Opening: 270°
Glass thickness: 4-8 mm

Finish:
Chrome Plated (CPL) # 15.13.110
SS-Look (nickel brushed) # 15.13.111



PIVOT HINGE FOR UV GLUE, SS-304

- high quality furniture fittings



Description:

Pivot hinge for UV-glue, max 12 mm glass thickness, max load cap. 10 kg per pair.

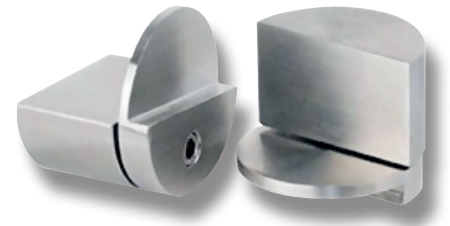
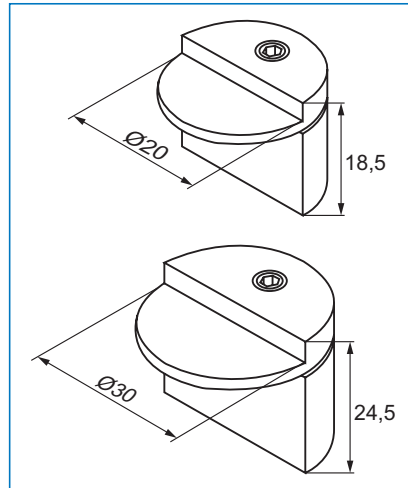
A threaded pin in the hinge allows the door to be removed after gluing.

Finish:

Brushed SS-304

Item No:

Pivot Hinge \varnothing 20 mm # 15.06.015
 Pivot Hinge \varnothing 30 mm # 15.06.016



PIVOT HINGE FOR UV GLUE, SS-304

Description:

Pivot hinge for UV-glue, 6-10 mm glass thickness, 180°, max load cap. 5 kg per hinge.

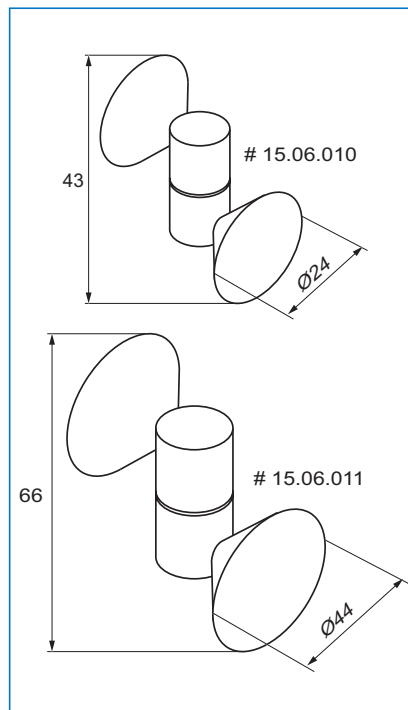
For the door a lateral overhang of at least 28 mm must be considered on the cabinet.

Finish:

Brushed SS-304

Item No:

Pivot Hinge \varnothing 24 mm # 15.06.010
 Pivot Hinge \varnothing 44 mm # 15.06.011



MAGNETIC CATCH FOR UV GLUE, SS-304

Description:

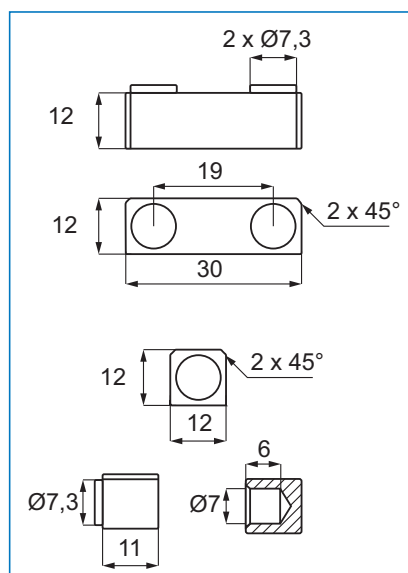
Magnetic catch for UV glue, magnetic locking-force 2 kg.

Finish:

Brushed SS-304

Item No:

Magnetic catch 30x12x12 mm # 22.01.140-5
 Magnetic catch 11x12x12 mm # 22.01.145



GLASS DOOR HINGE 11.300 - NO DRILLING

MODEL
No. 11.300 inset doors

Material:
Steel # 15.06.036
Chrome plated # 15.06.036
Alu finish # 15.06.038

Mounting: Top + Bottom
Inset Doors, max 4-6 mm
Complete with nylon bushings

Front plate:
Size: 50 x 23 mm - polished

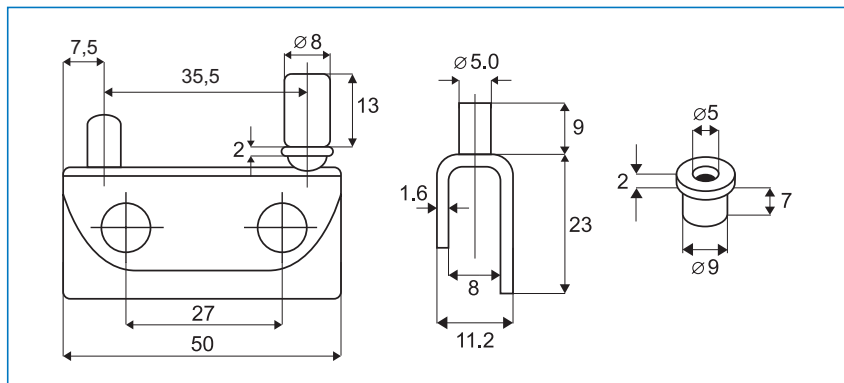
Packing:
Each pair (Right + Left)
is packed in a polybag complete
with bushings & steel screws w/soft tip

BALL CATCH # 15.06.077
Material: Brass
Size: Ø 8 mm x 8 mm

Optional, to be ordered separately



(Optional)



GLASS DOOR HINGE 11.561 - NO DRILLING

MODEL
No. 11.561 inset doors

Material:
SteelChrome plated # 15.06.096
Black anodized # 15.06.095
Alu finish # 15.06.098

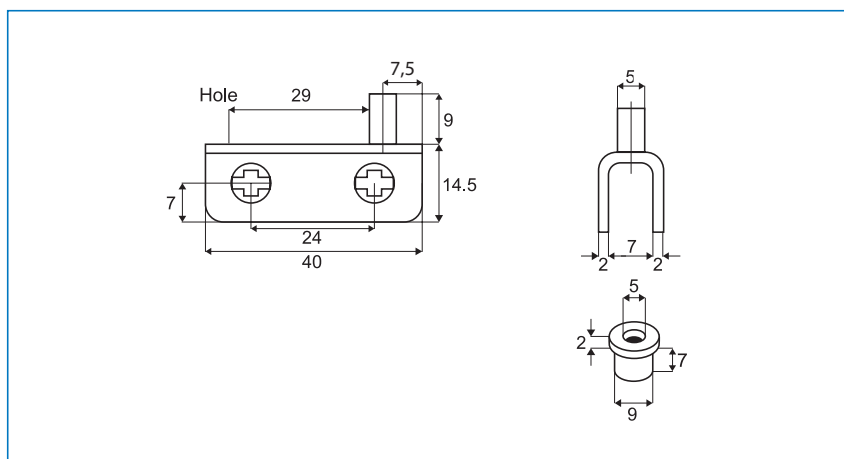
Mounting: Top + Bottom
Inset Doors, max 5 mm.
Complete with nylon bushings, steel
screws

Front plate:
Size: 40 x 14,5 mm

Optional, to be ordered separately
BALL CATCH # 15.06.077
Material: Brass
Size: Ø 8 mm x 8 mm



(Optional)



GLASS PIVOT HINGE "STAINLESS STEEL" - NO DRILLING

- high quality furniture fittings



MODEL "SMALL"

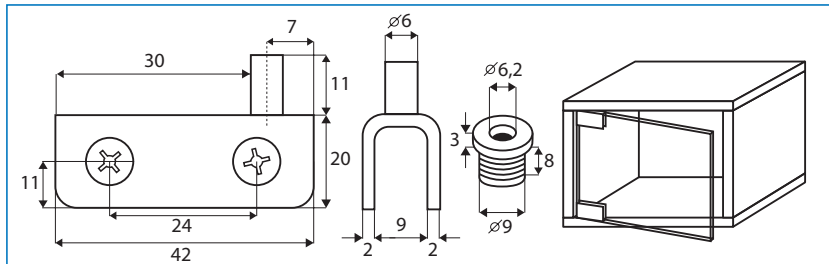
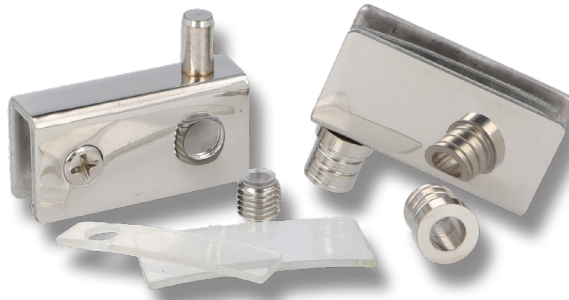
Mounting:
Inset doors. Complete with brass bushings & soft tip screws

Material:
2 mm stainless steel, polished

Hinge size: 42 x 20 x 13 mm (W/H/D)
Bushing size: $\varnothing 9 \times 8$ mm
Glass thickness: 6 mm

Item No. # 15.06.060

Packing:
70 pairs per carton



MODEL "MEDIUM"

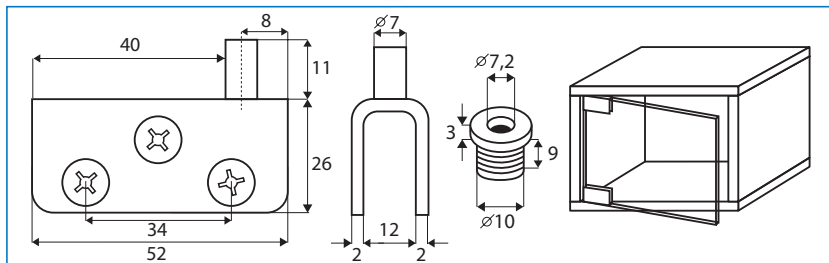
Mounting:
Inset doors. Complete with brass bushings & soft tip screws

Material:
2 mm stainless steel, polished

Hinge size: 52 x 26 x 16 mm (W/H/D)
Bushing size: $\varnothing 10 \times 9$ mm
Glass thickness: 8 mm

Item No. # 15.06.062

Packing:
70 pairs per carton



MODEL "LARGE"

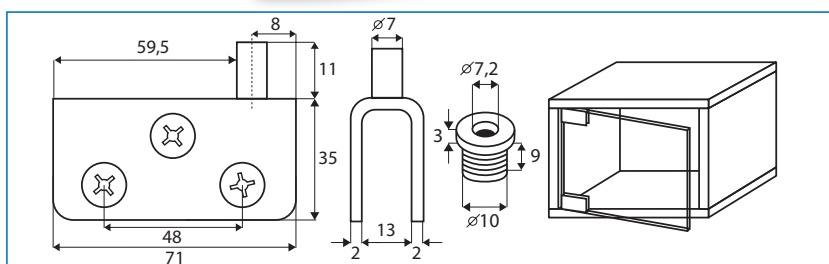
Mounting:
Inset doors. Complete with brass bushings & soft tip screws

Material:
2 mm stainless steel, polished

Hinge size: 71 x 35 x 17 mm (W/H/D)
Bushing size: $\varnothing 10 \times 9$ mm
Glass thickness: 10 mm

Item No. # 15.06.064

Packing:
70 pairs per carton



GLASS PIVOT HINGE "BRASS" - NO DRILLING

Mounting: Inset doors. Complete with brass bushings & soft tip screws

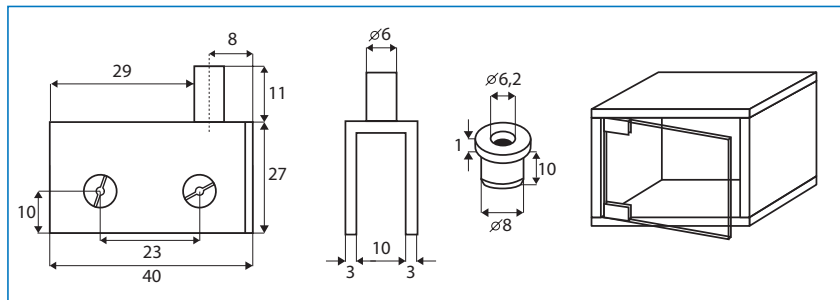
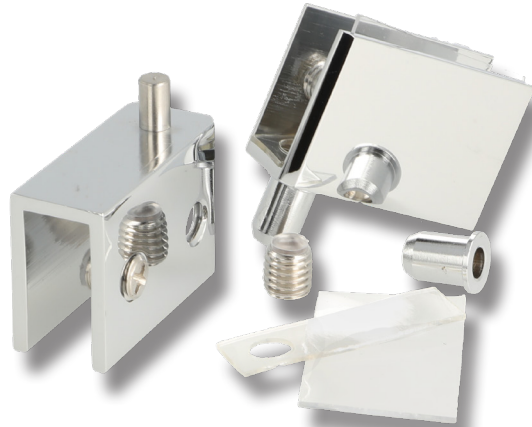
Material: 3 mm brass

Hinge size: 42 x 27 x 16 mm (W/H/D)

Bushing size: Ø 8 x 11 mm

Glass thickness: 4 - 8 mm

Chrome plated # 15.06.070
 Alu finish # 15.06.071
 SS - Look # 15.06.072
 Black anodized # 15.06.074



GLASS DOOR HINGE A-11 - NO DRILLING

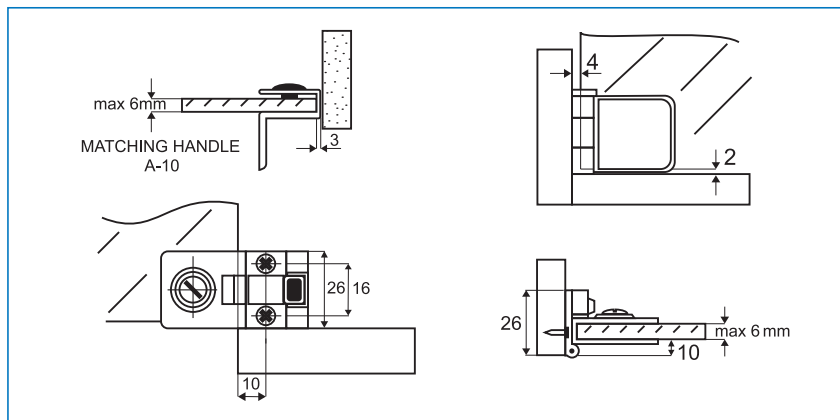
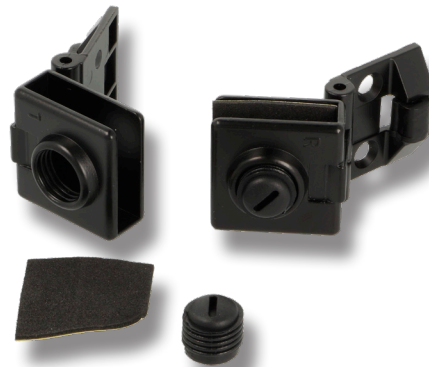
MODEL NO. A-11 w/Catch inset doors

Material: Zamak
 Chrome plated # 15.06.126
 Brass plated # 15.06.120
 Black anodized # 15.06.127

Mounting: Inset doors, max 5-6 mm
 Side fixation

Front plate: Size: 25 x 25 mm - framed & sparkled

Packing: Each pair (Right + Left) incl. pads/cushions is packed in a polybag 200 pairs per box



GLASS DOOR HINGE D-13/2 - NO DRILLING

- high quality furniture fittings

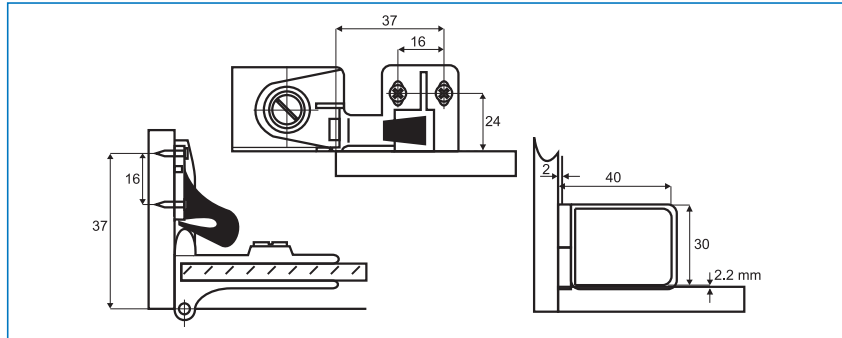
**MODEL w/Catch
NO. D 13/2 inset doors**

Material: Zamak
 Chrome plated # 15.06.102
 Bronze plated # 15.06.103

Mounting:
 Inset doors, max 5 mm

Front plate:
 Size 40 x 30 mm
 sparkled

Packing:
 Each pair (right + left) incl. pads/cushions
 is packed in a polybag
 50 pairs per box
 200 pairs per export carton



GLASS DOOR HINGE D-16 - NO DRILLING

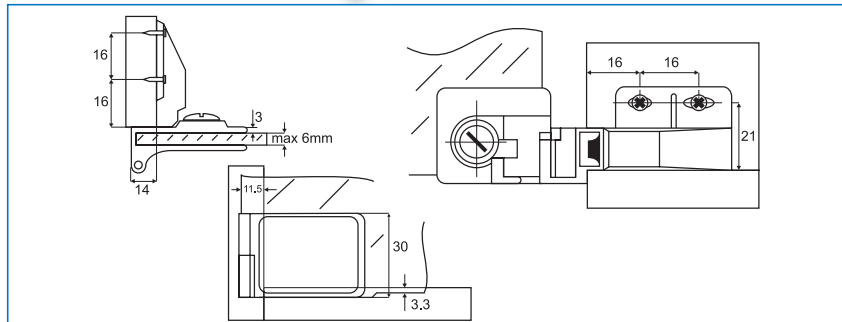
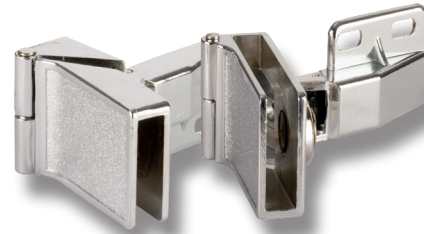
**MODEL w/Catch
D-16 OVERLAY DOORS**

Material: Zamak
Finish
 Chrome plated # 15.06.415
 Brass plated # 15.06.410

Mounting:
 Overlay doors, max 6 mm

Front plate:
 Size: 40 x 30 mm, sparkled

Packing:
 Each pair (Right + Left)
 incl. pads/cushions is packed
 in a polybag
 150 pairs per box



GLASS DOOR HINGE C-13 CENTER - NO DRILLING

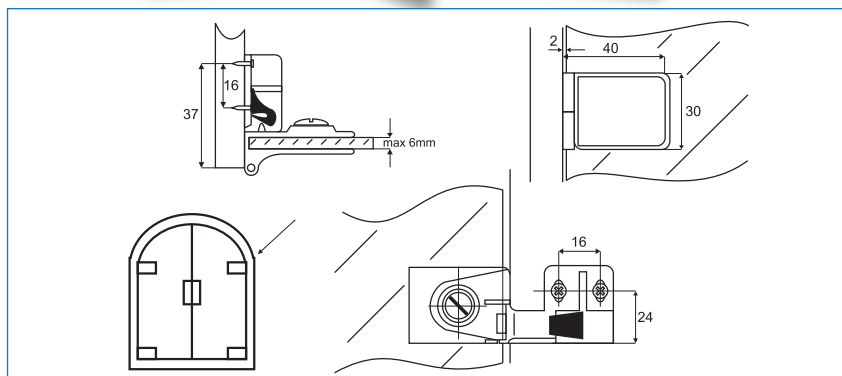
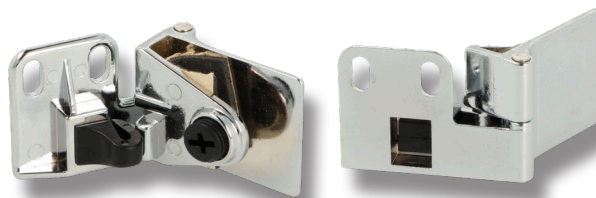
**MODEL w/Catch
C-13 INSET DOORS**

Material: Zamak L/R
 Chrome plated # 15.06.311/321
 Black anodized # 15.06.313/323

Mounting:
 Inset doors, max 5 mm
 Centre- or Top fixation for
 rounded doors

Front plate:
 Size: 40 x 30 mm - framed
 & sparkled

Packing:
 100 pairs per box
 400 pairs per export carton



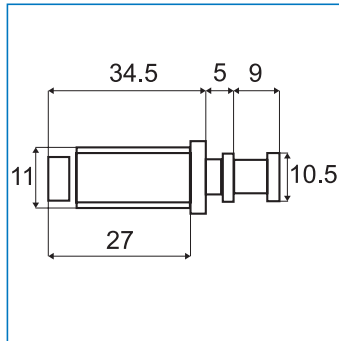
MAGNETIC TOUCH LATCHES

MAGNETIC TOUCH LATCH

Knock in type
- No striker included

Finish: Black Plastic # 22.01.095
Bore: Ø 11 x 38 mm

Packing
350 pcs per box
2800 pcs per export carton

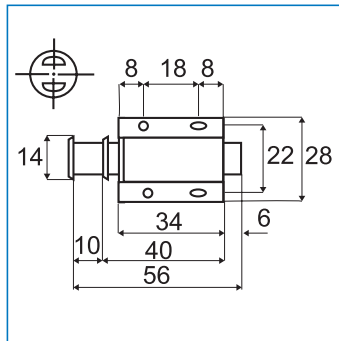


MAGNETIC TOUCH LATCH - SINGLE

Screw on - No striker included
- round type

Finish: black plastic # 22.01.070
Fixation: c.c. 22 mm

Packing
250 pcs per box
1000 pcs per export carton

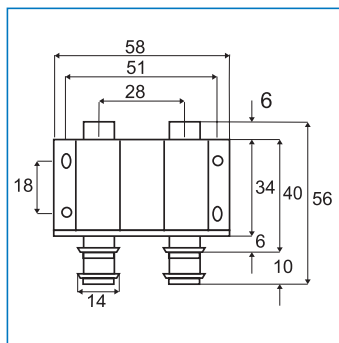


MAGNETIC TOUCH LATCH - DOUBLE

Screw on - no striker included
- round type

Finish: black plastic # 22.01.088
Fixation: c.c. 18 mm/51 mm

Packing
500 pcs per box

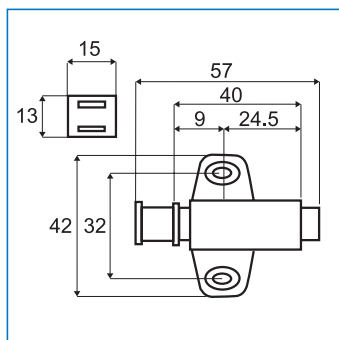


MAGNETIC TOUCH LATCH - SINGLE

Screw on - no striker included
- square type

Finish: black plastic # 22.01.075
Fixation: c.c. 32 mm

Packing
250 pcs per box
1000 pcs per export carton

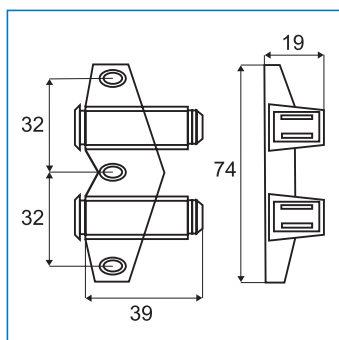


MAGNETIC TOUCH LATCH - DOUBLE

Screw on - no striker included
- square type

Finish: black plastic # 22.01.087
Fixation: c.c. 32 mm/64 mm

Packing
125 pcs per box
500 pcs per export carton



TOUCH LATCHES "PUSH-TO-OPEN"

- high quality furniture fittings



MAGNET TOUCH LATCH "SLIM" W/STRIKER

Application: Push-to-open touch latch for doors and drawers with magnet & striker. Suitable for wood & glass fronts

Material: Black ABS, White ABS, Grey ABS RAL 7040

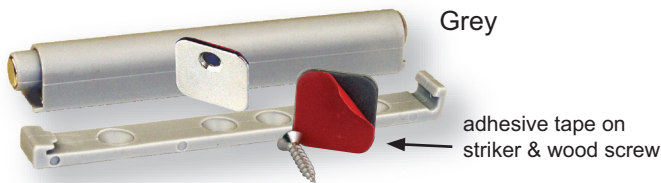
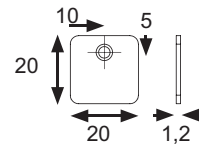
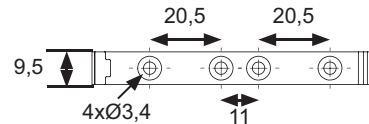
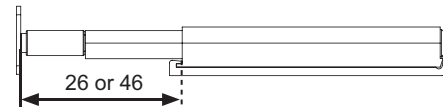
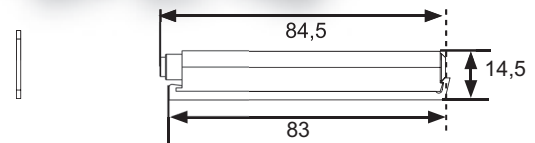
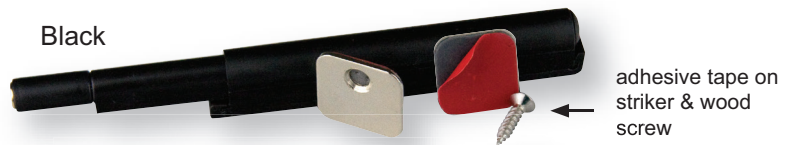
Overall size: 84,5 mm x 14,5 mm

Extended: 105 mm

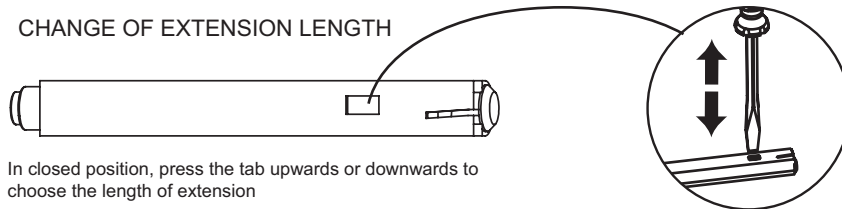
Item No.: # 22.01.104 (White)
22.01.105 (Black)
22.01.106 (Grey)

Incl. Steel striker 20 x 20 mm with adhesive tape for glass fixing & screw hole for wood fixing.

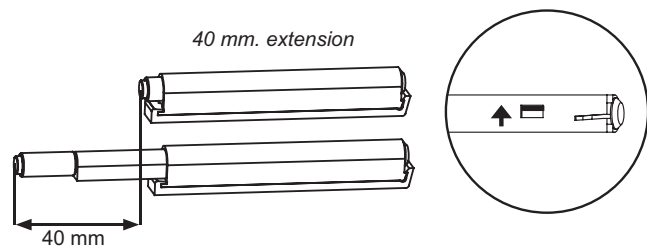
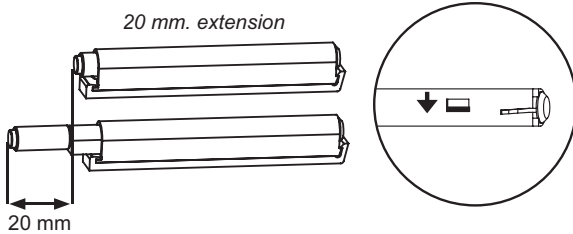
Screws to be ordered separately



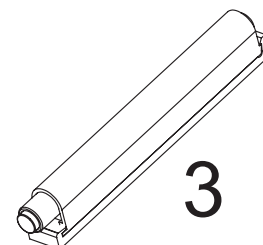
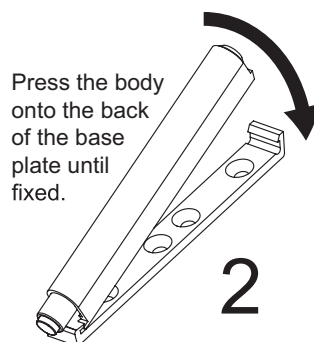
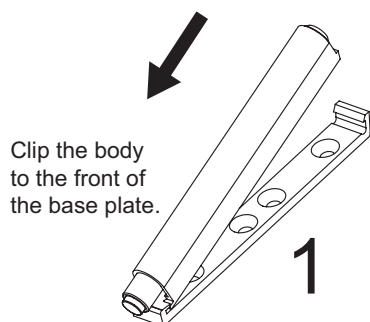
CHANGE OF EXTENSION LENGTH



In closed position, press the tab upwards or downwards to choose the length of extension



Mounting of latch



ROUND STRIKER - SELF ADHESIVE

For Rigid Fixation - Stick On Type

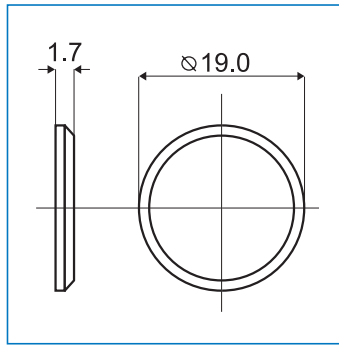
Size: Ø19 mm

Material: Steel

Glass thickness: 4 - 6 mm

Item No.:

Nickel plated # 22.01.118



CATCH PLATE

With Handle & Pad

Size: 40 x 23 mm

Material: Steel

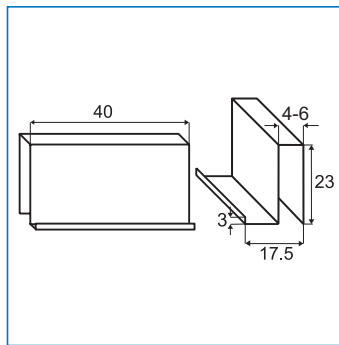
Glass thickness: 4 - 6 mm

Item No.:

Black anodized # 22.03.015

Chrome plated # 22.03.016

Brass plated # 22.03.017



CATCH PLATE

With Pad

Size: 40 x 25 mm

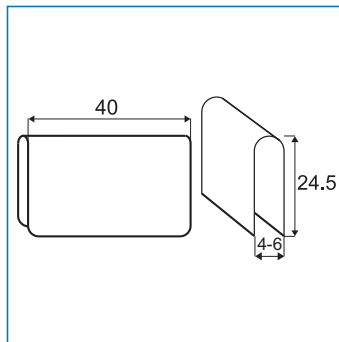
Material: Steel

Glass thickness: 4 - 6 mm

Item No.:

Black anodized # 22.03.111

Chrome plated # 22.03.115



CATCH PLATE:

Size: 35 x 27 mm

Material: Steel

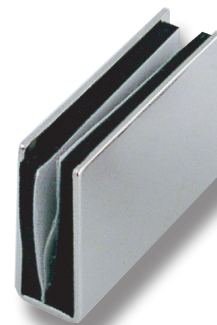
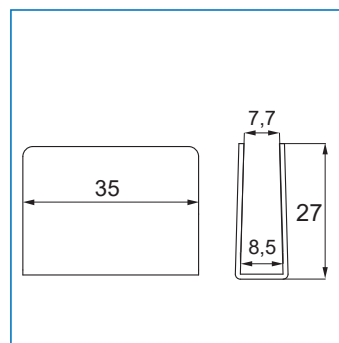
Glass thickness: 6 - 8 mm

Item No.:

Alu-look # 15.25.013

Nickel plated # 15.25.015/16

Chrome plated # 15.25.017



GLASS DOOR PULL F/SLIDING DOORS

- high quality furniture fittings

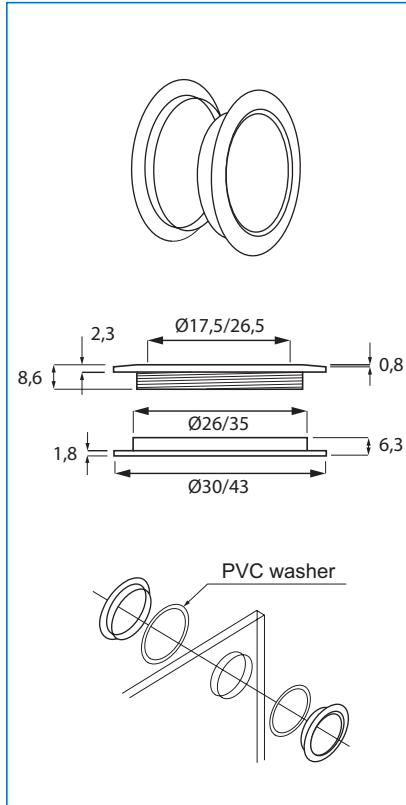


GLASS DOOR PULL FOR SLIDING DOORS

Material: Brass
Ø30 x 9 mm - bore Ø26 mm
Finish:
 Chrome plated # 17.40.100
 Alu finish # 17.40.101
 Polish brass # 17.40.103
 Satin brass # 17.40.104

Material: Brass
Ø43 x 9 mm - bore Ø35 mm
Finish:
 Chrome plated # 17.40.110
 Matt nickel # 17.40.112

For glass thickness 4 - 8 mm

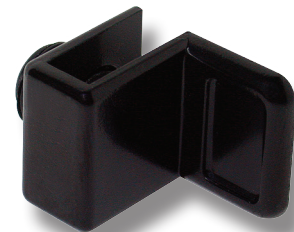
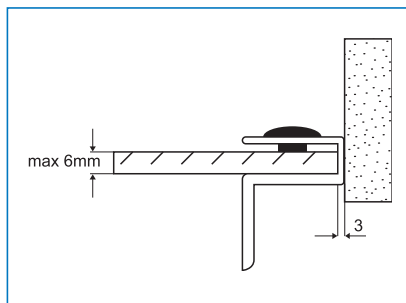


GLASS DOOR HANDLE - NO DRILLING

MODEL A10
 No Drilling, F/Single doors.

Material: Zamak

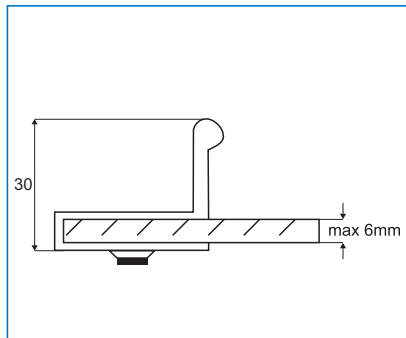
Item No.
 Chrome plated # 17.40.032
 Black Anodized # 17.40.031



MODEL D-12/2
 No Drilling, F/Single doors.

Material: Zamak
Finish: Sparkled

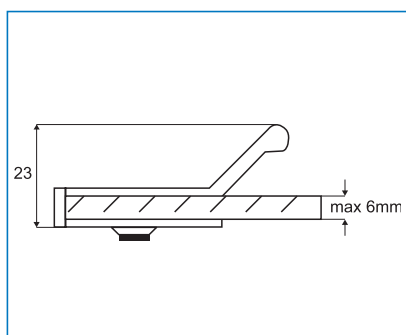
Item No.
 Black anodized # 17.40.017



MODEL D-120
 No Drilling, F/Double doors.

Material: Zamak
Finish: Sparkled

Item No.
 Brass plated # 17.40.040
 Bronze plated # 17.40.042



MIRROR SCREWS W/CAP

Application:

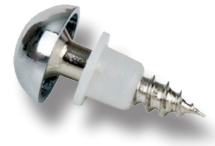
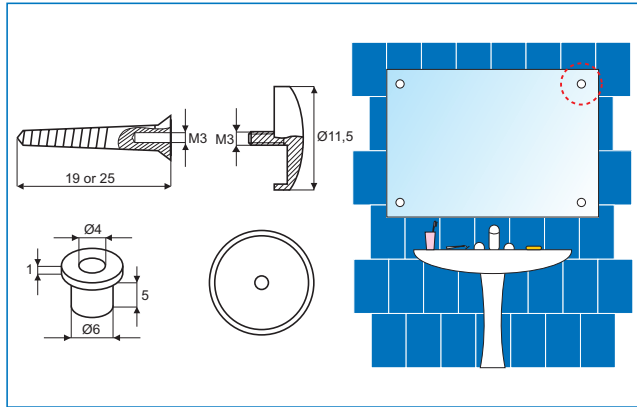
Fixing of mirrors.
Drilling in glass required.

Consists of:

Steel NPL screw,
plastic bushing & brass cover cap.

Ø4 x 19 mm screw. Ø11,5 mm cap
Chrome plated # 22.05.140

Ø4 x 25 mm screw. Ø11,5 mm cap
Chrome plated # 22.05.145



MIRROR OR GLASS CLIP

Application:

For safe mounting of mirrors or other glass panels of 4 mm thickness.

Material:

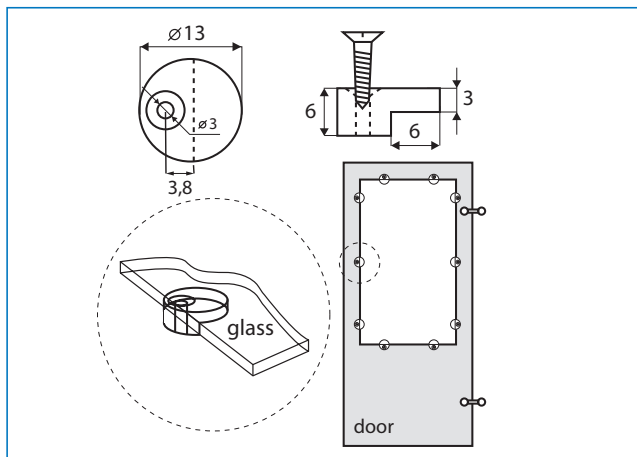
Plastic transparent

Screw holes: Ø3 mm

Item No.: # 22.05.200

Option:

Also available for other glass thickness upon special request or inquiry.
Other colour available.



MIRROR CLIPS W/SPRING

Application:

Fixing of mirrors.
No drilling in glass required.

Consists of:

2 spring loaded top clips
& 2 fixed bottom clips.

Glass thickness: 5 - 6 mm

Screw holes: Ø5 mm

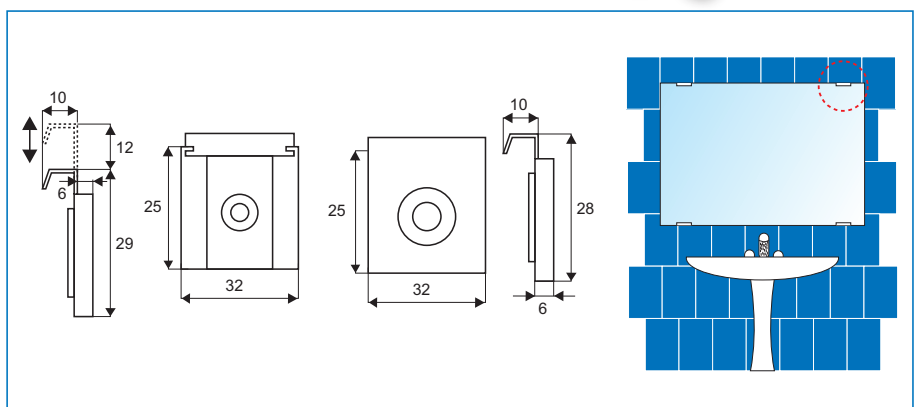
Finish:

Steel, nickel plated # 22.05.100
Stainless steel 304 # 22.05.105

Packing:

400 sets per carton

W/screws and wall plugs



SIGNBOARD SCREWS "ALU"

- high quality furniture fittings

SISO
DENMARK

Application

Mounting of signboards, mirrors etc.

Material

Aluminium

Mounting

ø 4 mm screw hole

ø 13 x 13 mm

Panel thickness: 2 - 6 mm

Anodized # 22.11.110
Red # 22.11.111
Blue # 22.11.112
Gold # 22.11.113
Black # 22.11.114
Alu polished # 22.11.115

ø 13 x 19 mm

Panel thickness: 2 - 8 mm

Anodized # 22.11.120
Red # 22.11.121
Blue # 22.11.122
Gold # 22.11.123
Black # 22.11.124
Alu polished # 22.11.125

ø 19 x 25 mm

Panel thickness: 2 - 12 mm

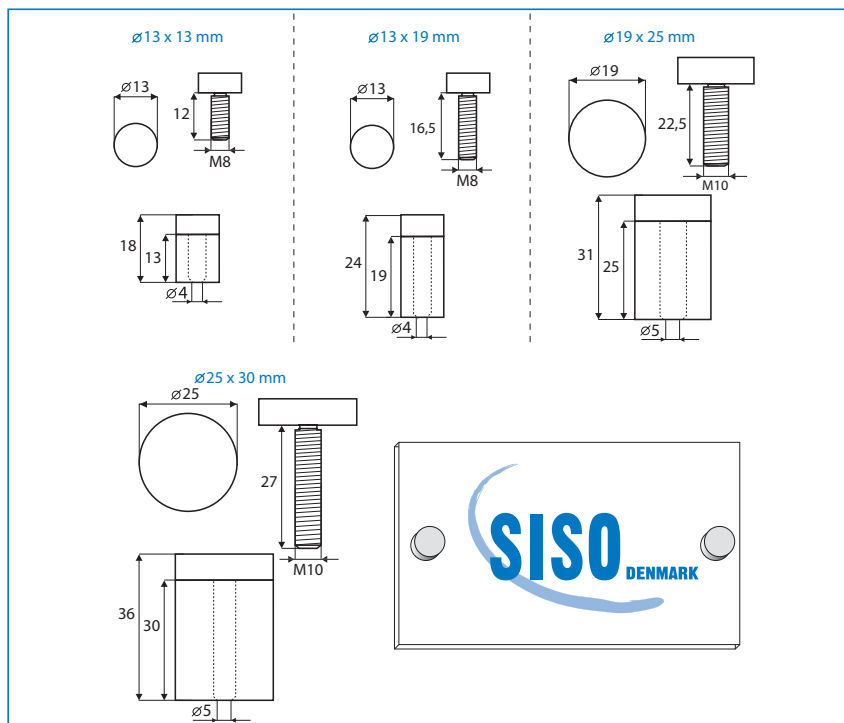
Anodized # 22.11.130
Red # 22.11.131
Blue # 22.11.132
Gold # 22.11.133
Black # 22.11.134
Alu polished # 22.11.135

ø 25 x 30 mm

Panel thickness: 2 - 12 mm

Anodized # 22.11.140
Red # 22.11.141
Blue # 22.11.142
Gold # 22.11.143
Black # 22.11.144
Alu polished # 22.11.145

All signboard screws are supplied w/2 transparent washers



SIGNBOARD SCREW "SS" W/CSK HEAD

Application

Mounting of signboards, mirrors etc.

Features

Counter sunk head with snake eyes

Material

Stainless steel 304

Mounting

8 x 14 mm screw hole

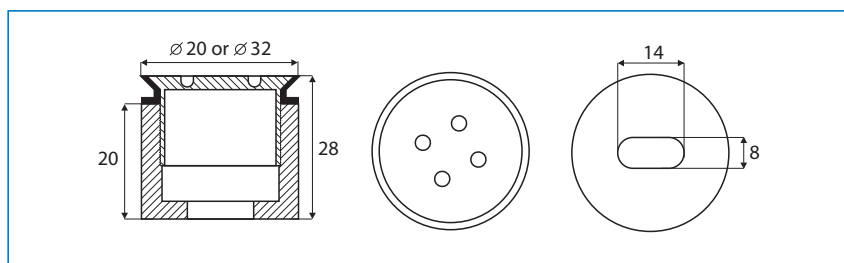
ø 20 x 28 mm

Panel thickness: 8 - 12 mm
SS 304 # 22.11.150

ø 32 x 28 mm

Panel thickness: 8 - 12 mm
SS 304 # 22.11.152

All signboard screws are supplied with black plastic washers



SIGNBOARD SCREWS

Application

Mounting of signboards, mirrors etc.

Material

Brass

Mounting

ø4 mm screw hole

ø 13 x 19 mm

Panel thickness: 2 - 8 mm
 Chrome plated # 22.11.000
 SS-look # 22.11.001
 Alu finish # 22.11.002

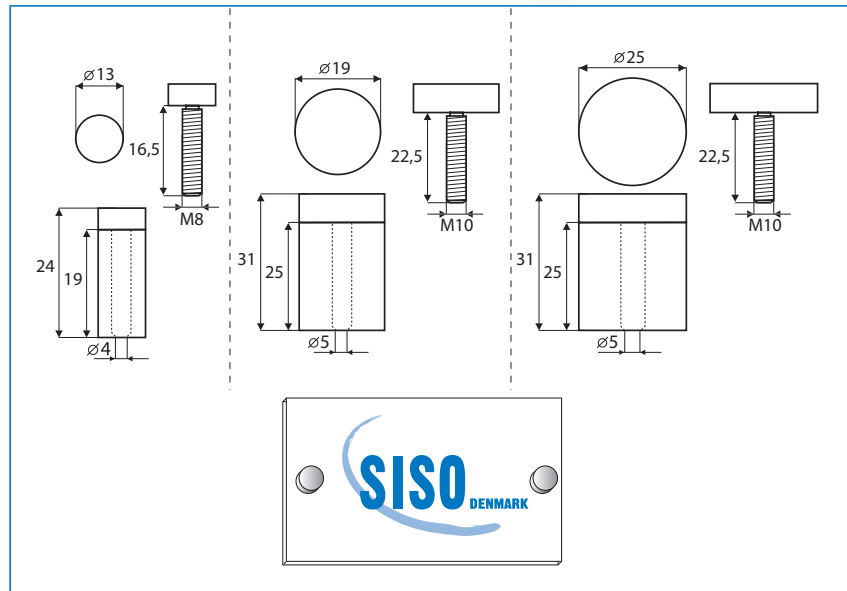
ø 19 x 25 mm

Panel thickness: 2 - 12 mm
 Chrome plated # 22.11.050
 SS-look # 22.11.051

ø 25 x 25 mm

Panel thickness: 2 - 12 mm
 Chrome plated # 22.11.100
 SS-look # 22.11.101
 Alu finish # 22.11.102

All signboard screws are supplied w/2 transparent washers



SIGNBOARD HOLDERS

Application

Mounting of signboards, mirrors etc.

Material

Brass

Mounting

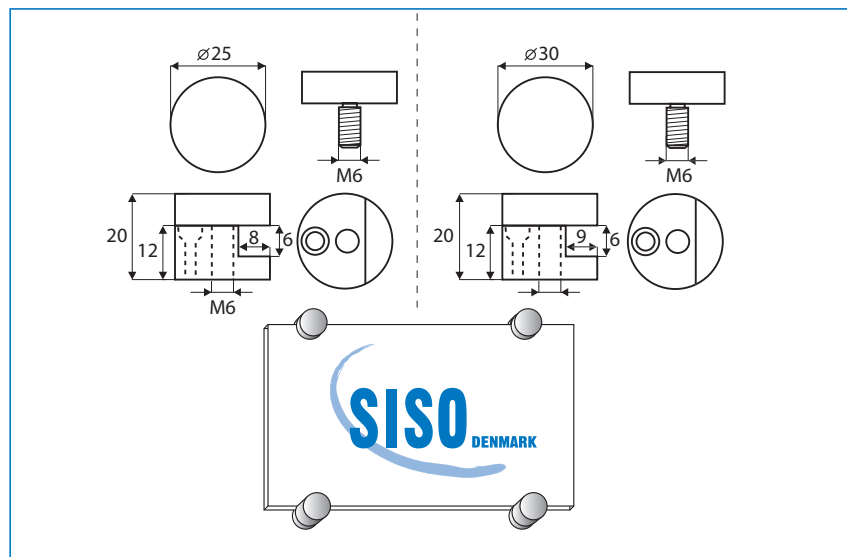
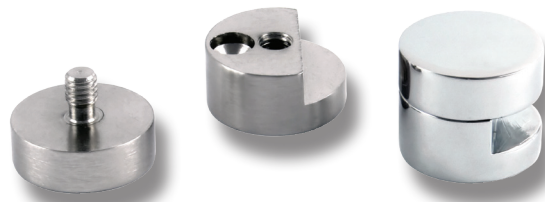
ø4 mm screw hole

ø 25 x 20 mm

Panel thickness: 6 mm
 Chrome plated # 22.11.200
 SS-look # 22.11.201

ø 30 x 20 mm

Panel thickness: 6 mm
 Chrome plated # 22.11.210
 SS-look # 22.11.211

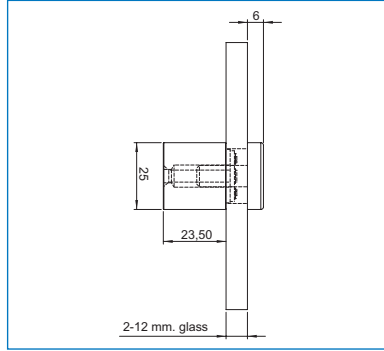


ALU SIGN BOARD SCREWS W/LED LIGHT

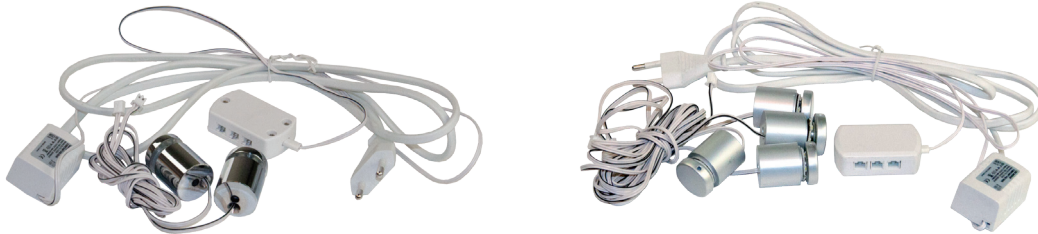
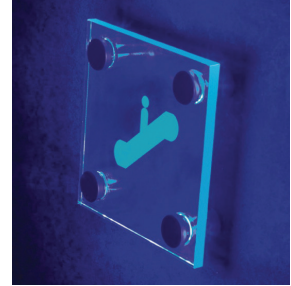
- high quality furniture fittings

Alu sign board screws w/LED light

F/ 2- 12 mm glass or acrylic plates
 White or blue light incl. 2 mtr. LED cable
 Transformer with 150 cm cable w/euro-plug
 Size ø 25 x 25 mm.
 Polished chrome or alu-look finish
 In sets of 2 or 4 sign board screws



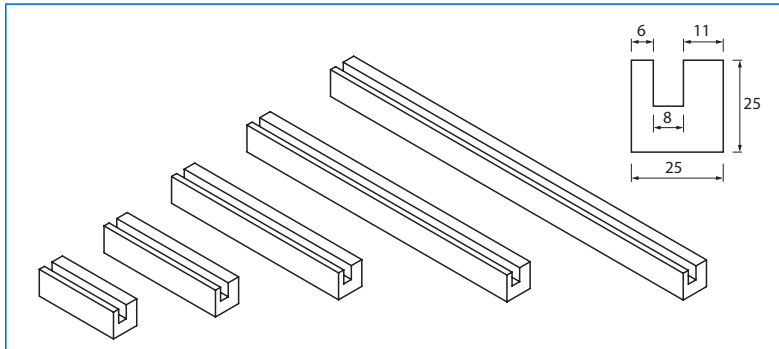
Quantity:	Finish:	Led light:	Item No.:
Set of 2 pieces	Chrome	Blue	# 22.11.316
Set of 2 pieces	Chrome	White	# 22.11.318
Set of 2 pieces	Alu	Blue	# 22.11.321
Set of 2 pieces	Alu	White	# 22.11.323
Set of 4 pieces	Chrome	Blue	# 22.11.331
Set of 4 pieces	Chrome	White	# 22.11.333
Set of 4 pieces	Alu	Blue	# 22.11.336
Set of 4 pieces	Alu	White	# 22.11.338



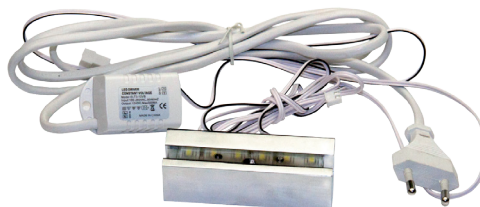
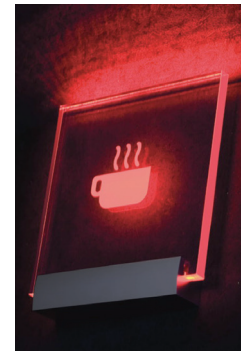
ALU CLAMPS W/LED LIGHT

Alu clamps w/LED light

F/ 8mm glass or acrylic plates
 White light incl. 2 mtr. LED cable
 Transformer with 150 cm cable w/euro-plug
 Size from 80 mm to 380 mm.
 Polished chrome or alu-look finish



Size:	Finish:	Led light:	Item No.:
80 mm	Chrome	White	# 22.11.300
80 mm	Alu finish	White	# 22.11.302
120 mm	Chrome	White	# 22.11.303
120 mm	Alu finish	White	# 22.11.305
180 mm	Chrome	White	# 22.11.306
180 mm	Alu finish	White	# 22.11.308
280 mm	Chrome	White	# 22.11.309
280 mm	Alu finish	White	# 22.11.311
380 mm	Chrome	White	# 22.11.312
380 mm	Alu finish	White	# 22.11.313

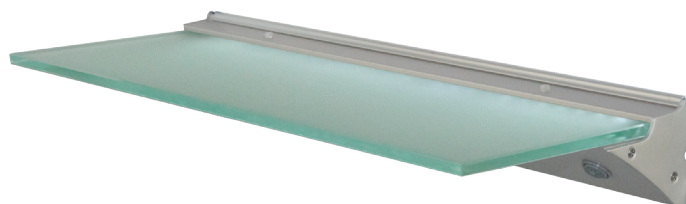


Specifications

Tempered frosted 8mm glass plate
 White LED lamps – 6000K
 From 450 to 1200 mm length.
 Complete with 1,5 m cable (no plug)
 Maximum load 3 kg
 Built-in grey on/off switch
 LED driver built into the profile. Input: 200 - 240V, 50 Hz.
 IP20 rated, RoHS complaint & CE certified

Item No.:

450 x 175 x 70 mm	24 SMD LEDs – 2,0w	# 22.02.710
500 x 175 x 70 mm	27 SMD LEDs – 2,2w	# 22.02.711
600 x 175 x 70 mm	33 SMD LEDs – 2,7w	# 22.02.712
900 x 175 x 70 mm	51 SMD LEDs – 4,1w	# 22.02.713
1200 x 175 x 70 mm	69 SMD LEDs – 5,6w	# 22.02.714



ALUMINIUM PROFILE WITHOUT LED & GLASS PLATE

Item No.:

450 x 175 x 70 mm	F/8 x 443 mm glass	# 22.02.701
500 x 175 x 70 mm	F/8 x 493 mm glass	# 22.02.702
600 x 175 x 70 mm	F/8 x 593 mm glass	# 22.02.703



SUCTION PADS & BUMPERS

BUMBER DISCS – SELF ADHESIVE

Material

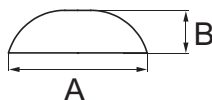
PVC, transparent color

Application

Self adhesive bumpers are the ideal solution to avoid scratching surfaces, prevent objects from skidding or vibrating, cushioning the closing of doors and drawers & equalizing height differences

Tip

Avoid using the bumper discs for at least 24 hours after mounting to guarantee maximum adhesion



Item number	Color	A diameter	B height
# 10.39.010	Transparent	Ø7	1,5 mm
# 10.39.015	Transparent	Ø8	1,6 mm
# 10.39.020	Transparent	Ø10	1,5 mm
# 10.39.030	Transparent	Ø10	3,0 mm
# 10.39.040	Transparent	Ø13	4,0 mm



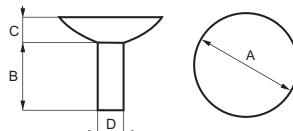
SUCTION PADS W/HOLLOW PIN

Material

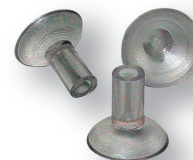
PVC, transparent color

Application

For glass table tops
 Hollow pin



Item number	A diameter	B height	C height	D diameter
# 10.38.210	Ø15	10 mm	4 mm	Ø6
# 10.38.220	Ø20	8,5 mm	6,5 mm	Ø6



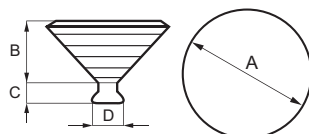
SUCTION PADS W/BALL PIN

Material

PVC, transparent color

Application

For glass table tops
 Ball pin



Item number	A diameter	B height	C height	D diameter
# 10.38.310	Ø20	10 mm	4 mm	Ø6
# 10.38.312	Ø30	13 mm	5 mm	Ø8



STAINLESS STEEL DISCS F/TABLE LEGS F/UV GLUE

- high quality furniture fittings

Description:

To be used with table legs mounted on glass table tops

For legs with M8 bolt

Item No:

- Ø 38 x 10,5mm # 06.10.064
- Ø 50 x 10,5mm # 06.10.065
- Ø 60 x 10,5mm # 06.10.080

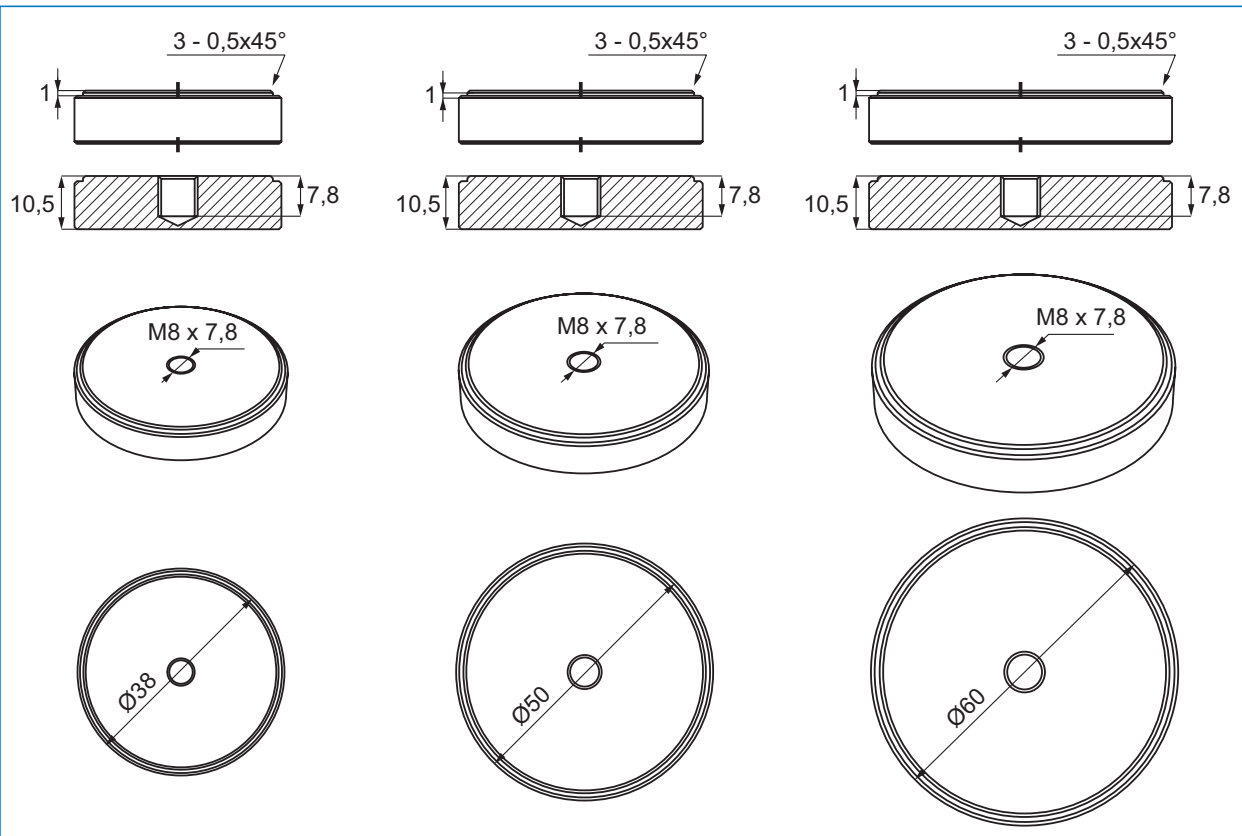


TABLE LEG F/GLASS TABLE TOPS

Application

Table legs for glass table tops.
With adjustable glide.

Mounting

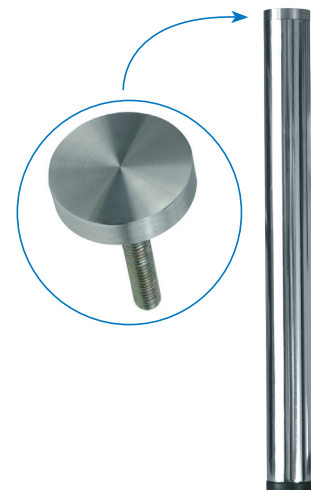
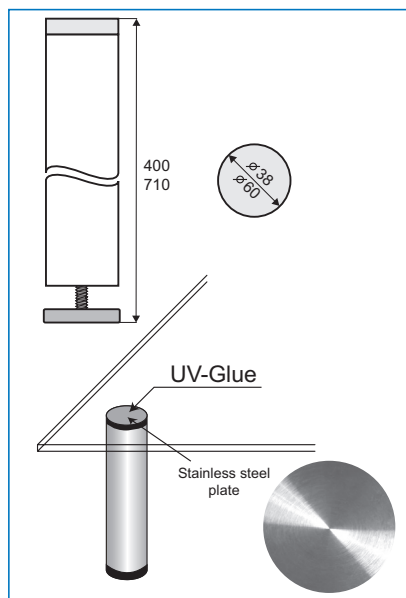
UV-Glue

Material

Steel, chrome plated legs
Stainless steel mounting plate
Black plastic adjuster

Size:

- Ø38 x 400 mm #06.10.070
(Incl. stainless steel disc)
- Ø60 x 710 mm #06.11.105
(No Stainless steel disc. Buy item #06.10.080)



TWISTER - THE LEG CONNECTOR



PATENTED

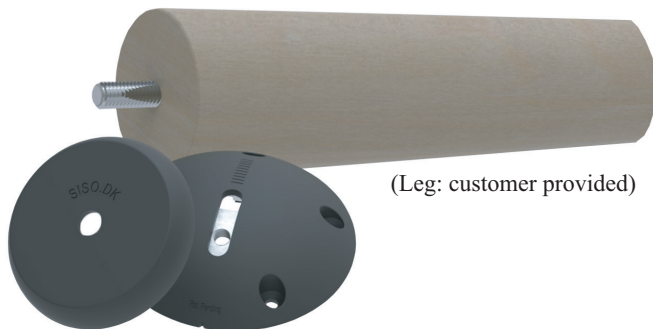
The "Twister" leg connector is designed for installing a leg in any position from 0 – 20 degrees – one way, simply by twisting the leg tightly onto the connector plate. May be used on tables, cabinets, beds, sofas ect. wherever a leg is needed.

"Twister" gives the possibility to change the design on the furniture whenever there is a demand. Furthermore it may be used as a height adjuster/leveller in case of uneven floors. Adjustable up to 40mm when changing the angle from 0 – 20 degrees. "Twister" is designed for maximum leg diameter of 50mm and M8 bolt.

The round sliding plate and body are made of black reinforced ABS. The internal part is made of steel.

Danish design by SISO & Jesper Møller Hansen.
Pat. Pending in EU & US.

Wood top mounting



(Leg: customer provided)

**Glass top mounting
w/aluminium disc & UV-glue**

(Leg: customer provided)



TWISTER - THE LEG CONNECTOR

- high quality furniture fittings



WOOD TOP MOUNTING

Material:
Reinforced ABS & steel

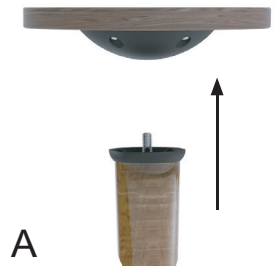
Total size:
Ø106,5 x 27 mm

Screw holes:
Ø5,5 mm

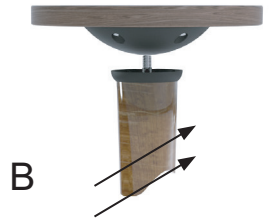
Item No.:
06.11.100

Packing:
1 pce pr. inner box

Screws and hangerbolt to be bought separately.



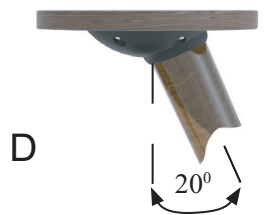
A



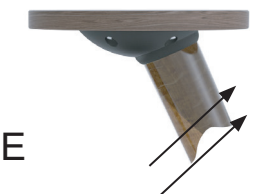
B



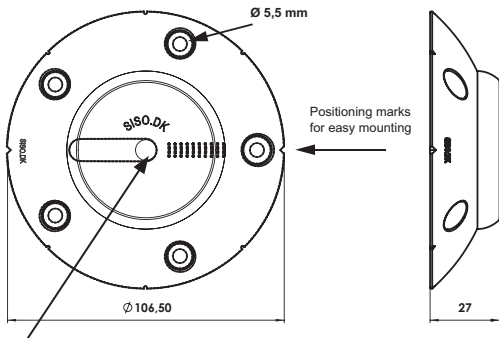
C



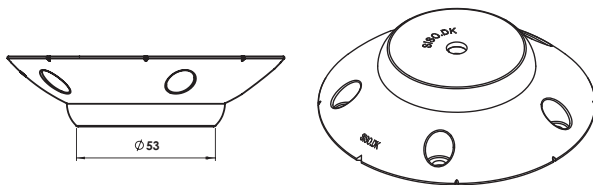
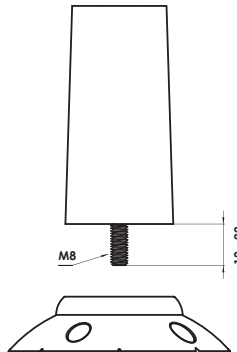
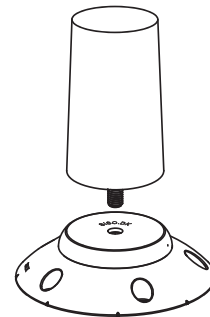
D



E



M8 thread



GLASS TOP MOUNTING W/ALUMINIUM DISC & UV-GLUE

For glass top mounting by use of Twister connector combined with an aluminium disc.

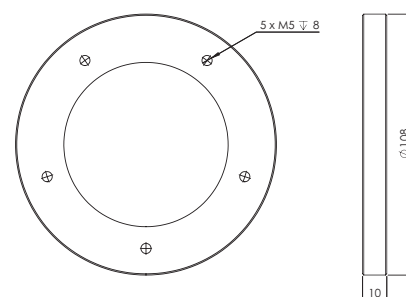
Material:
Aluminium

Size:
Ø108 x 10 mm, For screws M5 x 8mm

Item No.:
06.11.121

Fixing screws and Twister connector to be ordered separately.

The aluminium disc is glued to the glass by use of Bohle UV-Glue B 682-0. UV-lamp is needed.



SHELVING LEG SYSTEM "THE POST"

"The Post"

Shelving leg system.

Can be used for shelving, storage or display purposes. Office shelves, desk shelf, shop fittings, movable trade fair displays, entertainment centres.

Easy assembly and dis-assembly

Reconfigurable

Mounting clip for wood	Zamak Aluminium finish	# 22.30.000
Foot plug	Black plastic	# 22.30.001
Mounting plug clip	Black plastic	# 22.30.002
Mounting plate for glass	Stainless Steel	# 22.30.003
Aluminium bar of 2 meters	Aluminium anodized	# 22.30.004

Mounting instruction for glass tops

The stainless steel plate is first glued to the zamak mounting clip by use of BOHLE UV-Glue B 682-0 together with BOHLE UV-Activator B 953-0. UV-lamp is not needed.

After the 2 parts are glued together the stainless steel plate is glued to the glass plate by use of BOHLE UV-Glue B 682-0. UV-lamp is needed.

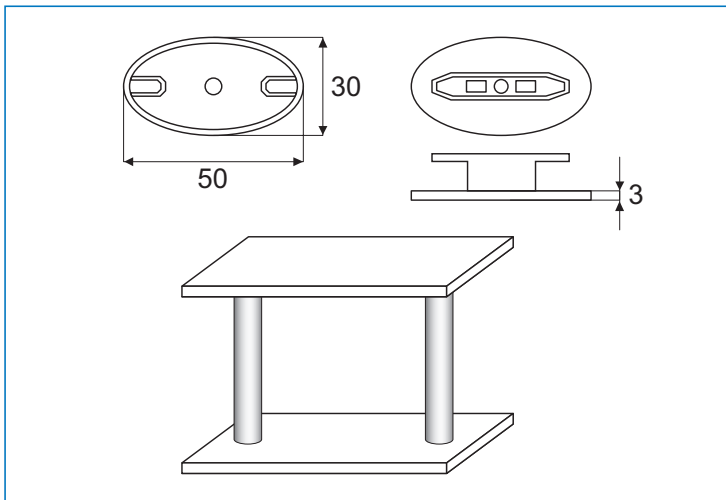
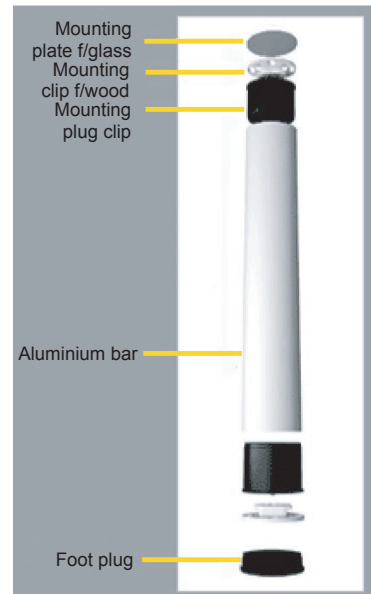
The Post - Connector detail



Kitchens



Extrusion illustration of The Post



Assembly

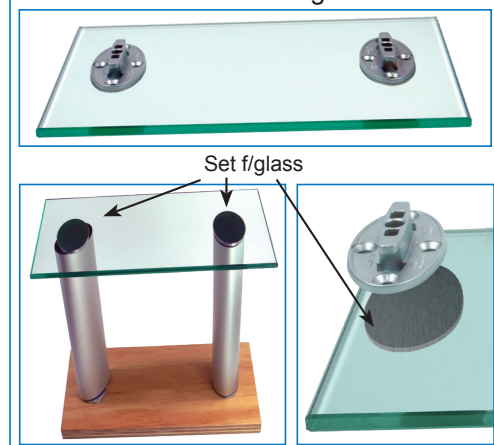


1. Screw connectors into desk/bench and shelf and place posts on connectors

2. Place shelf on posts

3. Twist posts until it locks "click", simply twist to unlock

The Post for glass



NOTES

- high quality furniture fittings



A series of horizontal dotted lines spanning the width of the page, intended for handwritten notes.

Dotted lines for notes.

NOTES

- high quality furniture fittings



A series of horizontal dotted lines spanning the width of the page, providing a guide for writing notes.



- high quality furniture fittings

Item No.: 99.00.020-0

14.01.2022

SISO A/S

Mileparken 11 Phone: (+45) 45 830 900
DK - 2740 Skovlunde (Copenhagen) Fax: (+45) 45 830 444
Denmark E-mail: siso@siso.dk Web: www.siso.dk